

Assembly Notes: Norix is not responsible for any damage due to improper installation. If your shipment does not match the parts list, please contact Norix Customer Service at 800-234-4900. Norix reserves the right to modify design specifications at any time without an obligation to owners of previously sold products.

Parts List

ITEM	QTY.	PART NUMBER	DESCRIPTION
A	1	SH8183-1XYZ	Safehouse Single Wardrobe

Tools Needed
Low RPM Variable Speed Drill
3/8" Concrete Drill Bit
1/2" Drill Bit
Floor Anchor (4)
Wall Anchor (2) (optional)
Driver for Anchor
C-Clamp
Scrap Wood

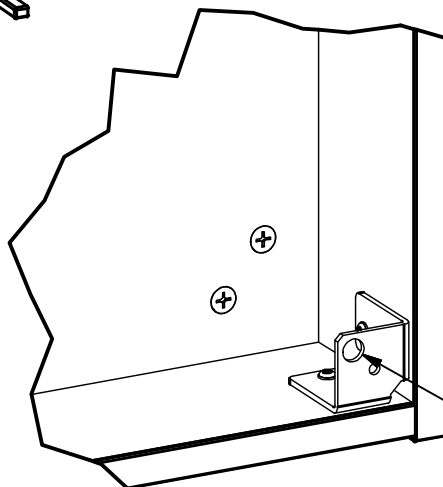
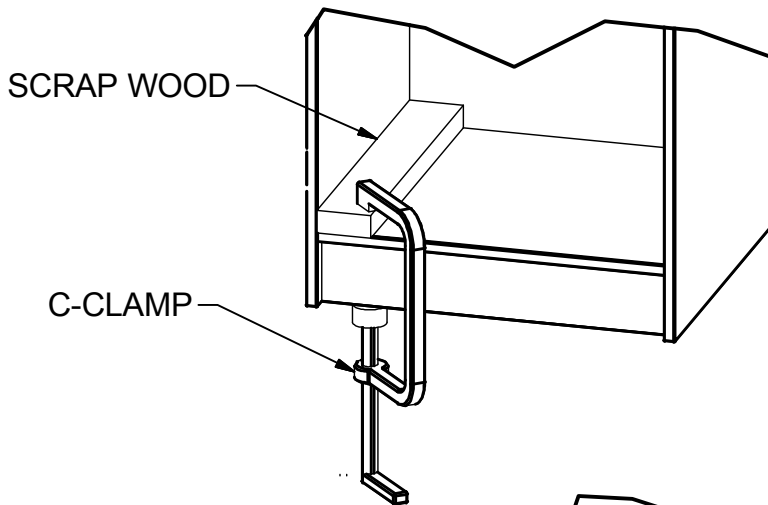
Use suitable anchors in four places to secure unit to floor.

Remove the four glides from the steel glide brackets on the bottom of the unit.

Using a long 1/2" dia. drill bit, drill through the existing hole in the glide brackets and through the bottom shelf. Use a piece of scrap wood clamped against the bottom shelf as a back-up board to prevent the shelf wood from splitting when the drill bit comes through.

Unit can also be anchored to the wall with suitable hardware.

Unit can be attached to an adjacent unit by drilling through the side panel and using suitable hardware to hold units together.



USE LARGE HOLE AS A GUIDE TO DRILL THRU BOTTOM SHELF.

