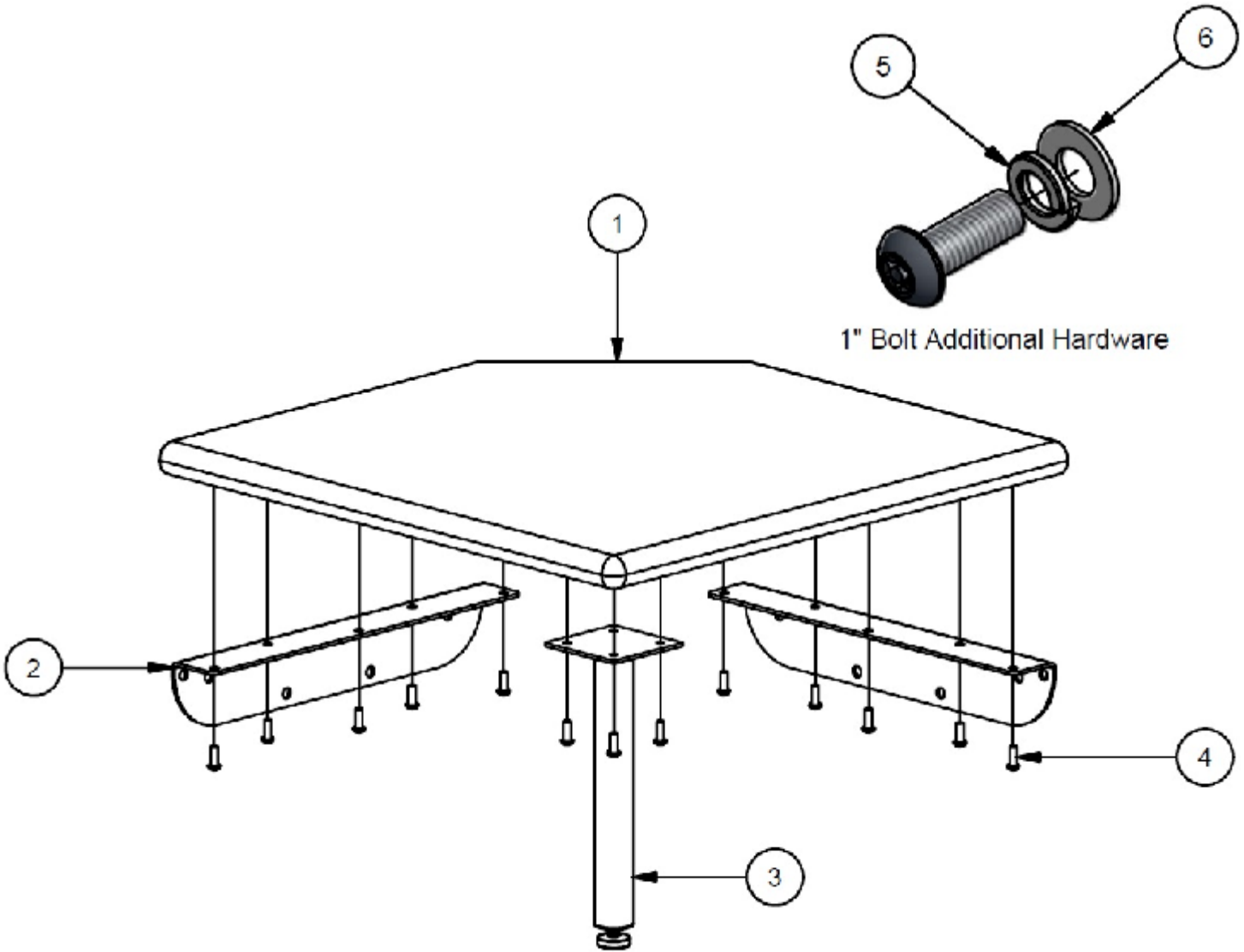


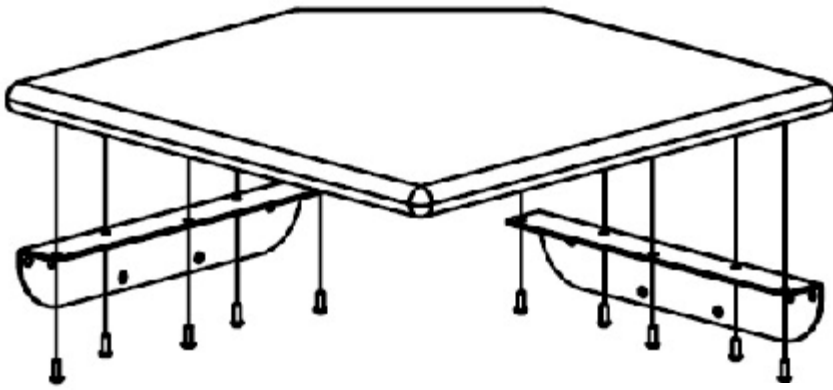
**Model Number
C711-21**

www.norix.com • TEL 800 234-4900

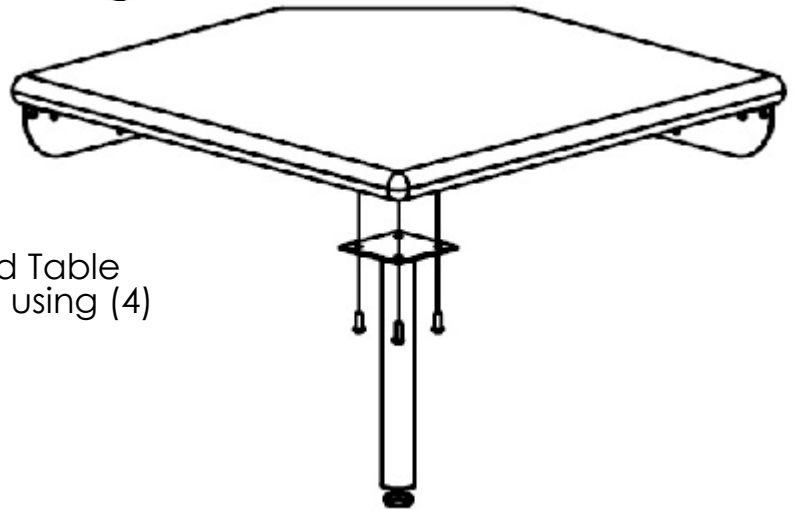
Assembly Notes: Norix is not responsible for any damage due to improper installation. If your shipment does not match the parts list, please contact Norix Customer Service at 800-234-4900. Norix reserves the right to modify design specifications at any time without an obligation to owners of previously sold products.

PARTS LIST				Tools Needed
ITEM	QTY	PART NUMBER	DESCRIPTION	Low RPM Variable Speed Drill
1	1	050-0203	Sierra 90 Degree Table Top	
2	2	001-245	Sierra Table Bracket	
3	1	033-205	Glided Sierra Table Leg	
4	14	021-010	Socket Cap Screw, 3/8-16 x 1" Black Oxide	
5	1	025-003	Lock Washer, 3/8 Black Oxide	
6	1	025-002	Fender Washer, 3/8 Black Oxide	

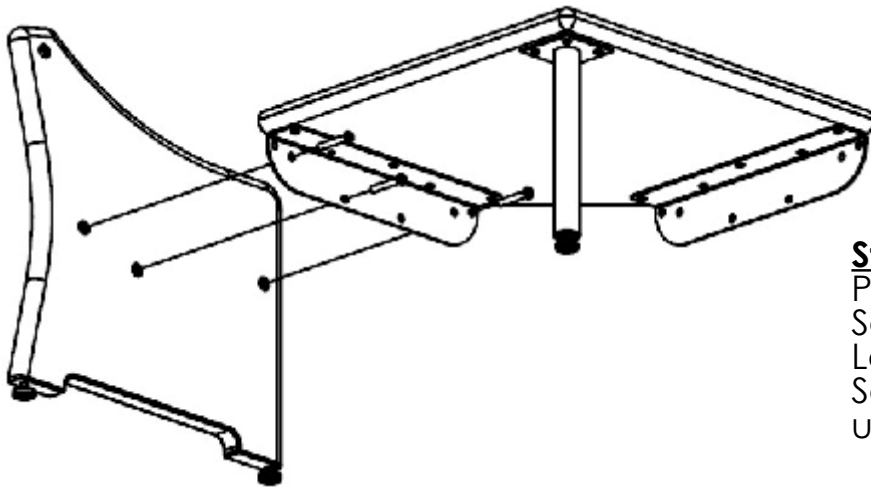




Step 1
Secure (2) Table Brackets to Table Top using (10) 3/8 x 1" Screws.



Step 2
Secure (1) Glided Table Leg to Table Top using (4) 3/8 x 1" Screws.



Step 3
Position Sierra seating unit. Secure Bracket to outside of Left Arm using (3) 1/2" x 3" Screws from Sierra seating unit.

Step 4
Position adjacent Sierra seating unit. Secure Bracket to outside of Right Arm using (3) 1/2 x 3" Screws from Sierra seating unit.

