



Assembly Notes: Norix is not responsible for any damage due to improper installation. If your shipment does not match the parts list, please contact Norix Customer Service at 800-234-4900. Norix reserves the right to modify design specifications at any time without an obligation to owners of previously sold products.

Parts List

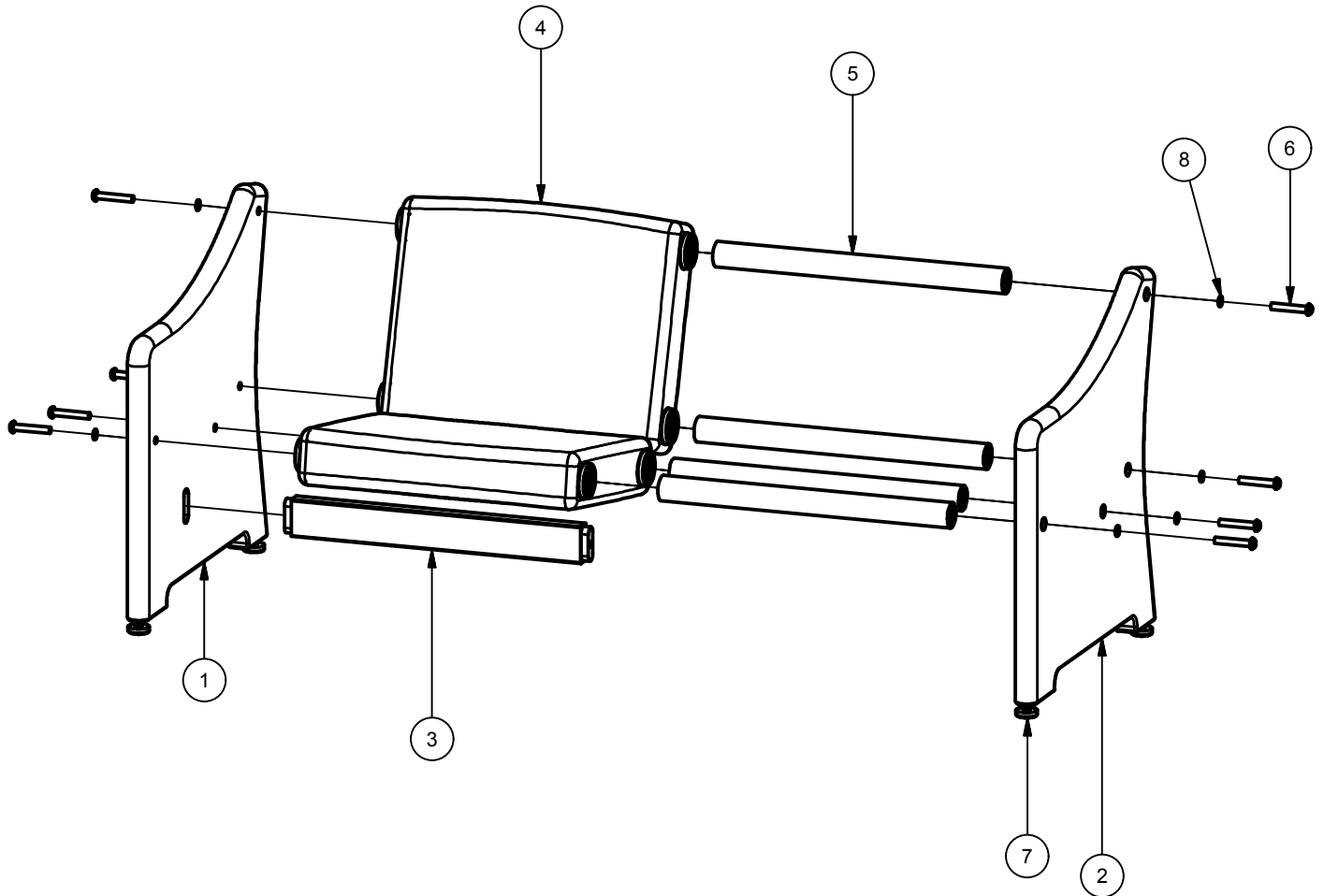
ITEM	QTY	DESCRIPTION	NORIX PART NO.
1	1	Sierra Solid Wood Arm - Left	029-200
2	1	Sierra Solid Wood Arm - Right	029-201
3	1	Sierra 24" Rail	029-203
4	2	Sierra Cushion	040-110
5	4	Sierra 24" Seat Supports	001-248
6	8	Socket Cap Screw, Btn. Hd., 3/8" x 3", Black Oxide	021-014
7	4	Pre-Installed Sierra Glide Assembly	027-001
8	8	Washer, Flat, 3/8 ID x 13/16 OD Steel, Black Oxide	026-017

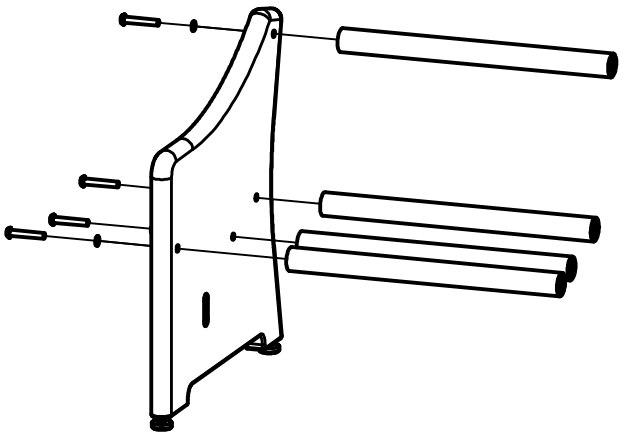
Assembly Notes

- 1) Two people required for proper assembly.
- 2) All Cushions are interchangeable.
- 3) Holes in Rails are to be disregarded in this assembly.

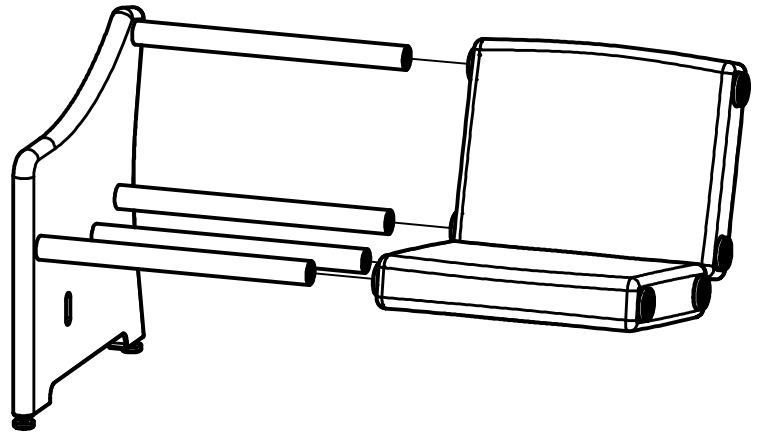
Tools Needed

Low RPM Variable Speed Drill

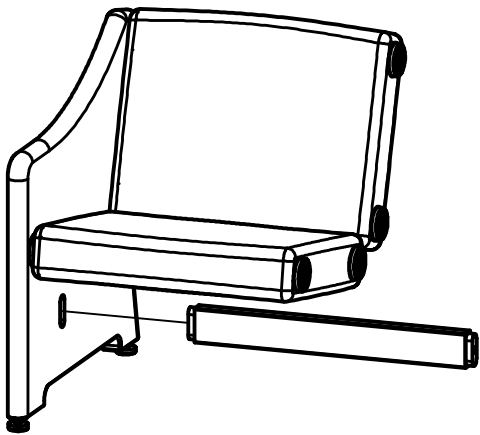




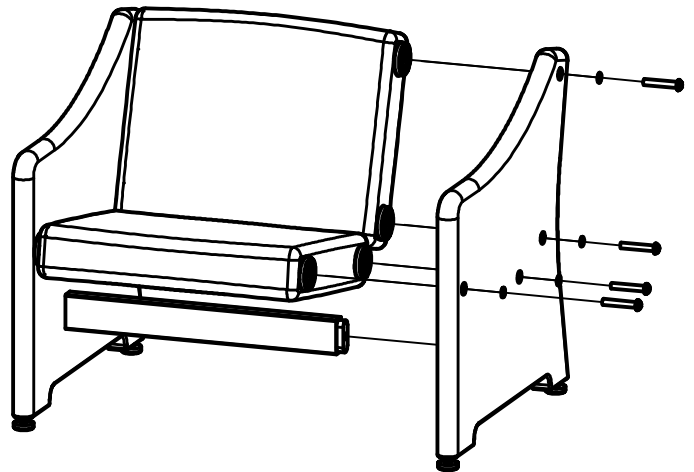
Step 1
Secure Left Arm to (4) 24" Seat
Supports using (4) 3/8"-16 x 3" Screws
and (4) 3/8" Washers.



Step 2
Slide (2) Cushions over
Seat Supports.



Step 3
Insert 24" Rail into
slot on Left Arm.



Step 4
Place slot from Right Arm over 24" Rail.
Secure Right Arm to (4) 24" Seat
Supports using (4) 3/8"-16 x 3" Screws
and (4) 3/8" Washers.