

Sierra Connected End Table Assembly Instructions

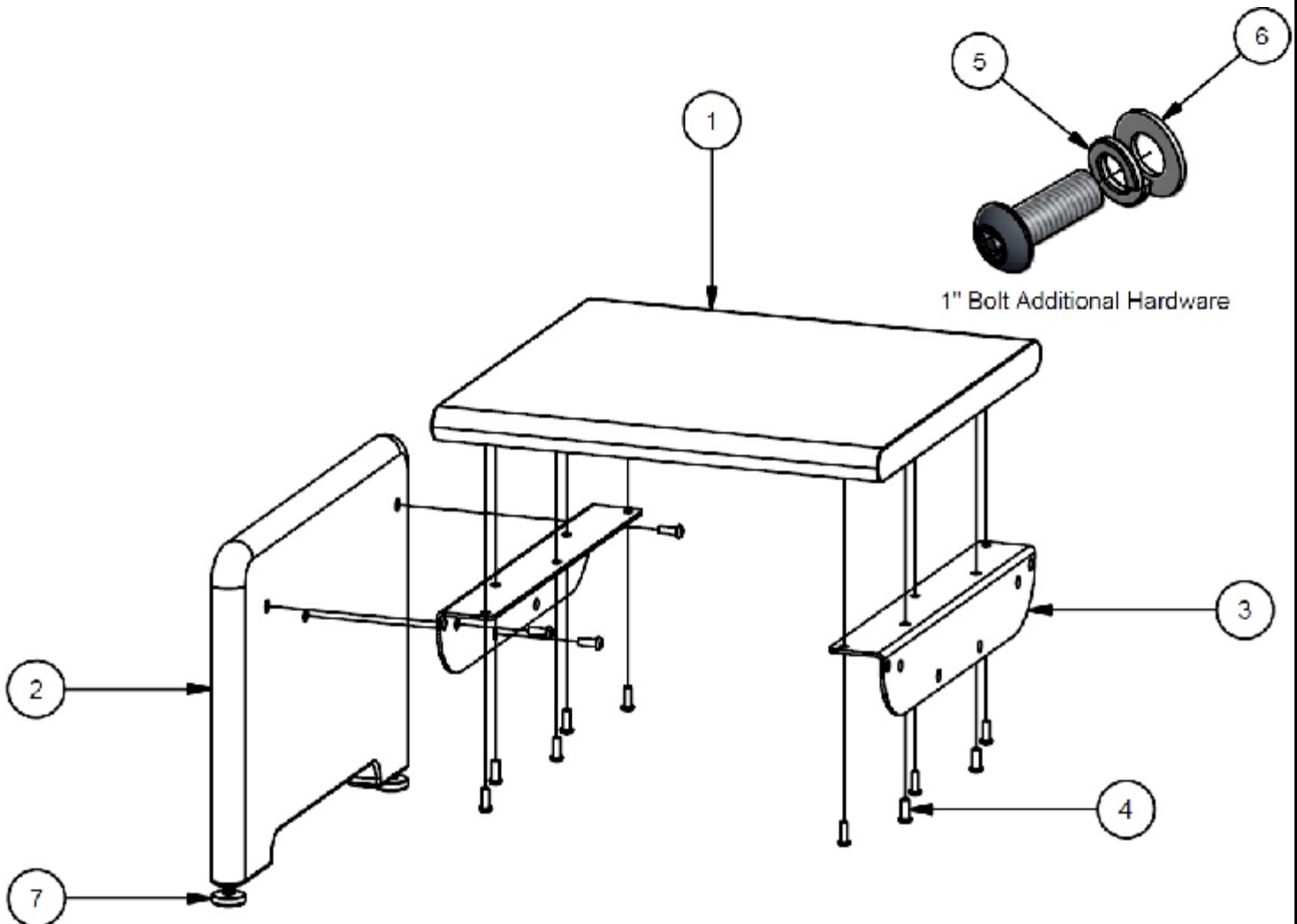
**Model Number
C711-41**

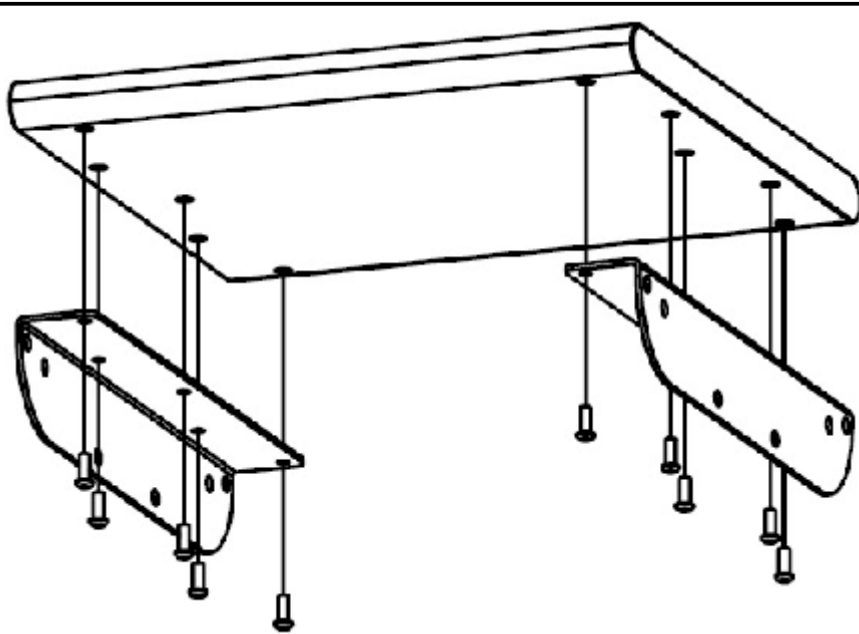


www.norix.com • TEL 800 234-4900

Assembly Notes: Norix is not responsible for any damage due to improper installation. If your shipment does not match the parts list, please contact Norix Customer Service at 800-234-4900. Norix reserves the right to modify design specifications at any time without an obligation to owners of previously sold products.

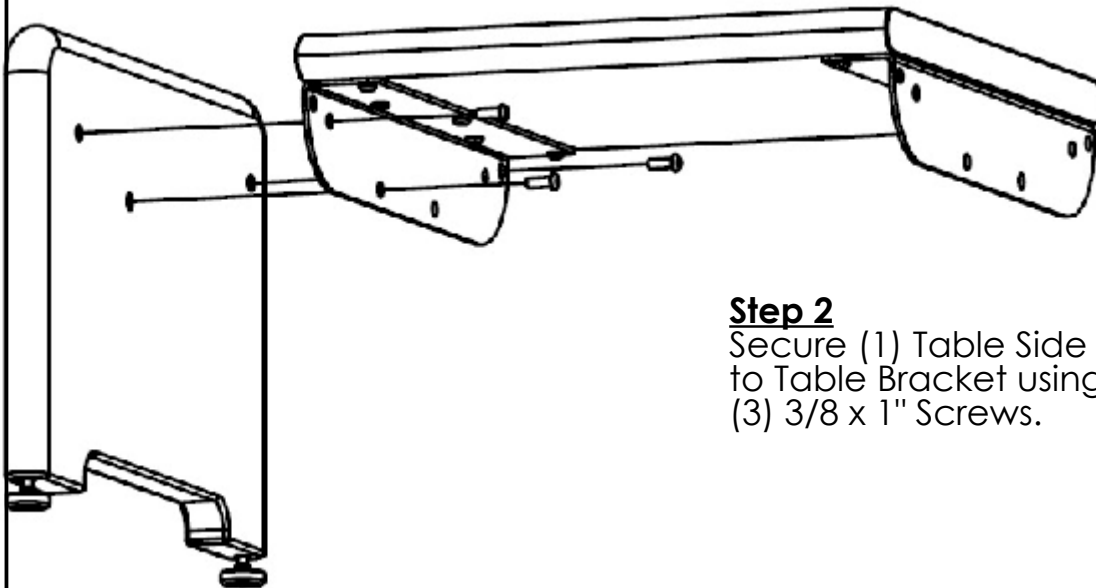
PARTS LIST				Tools Needed
ITEM	QTY	PART NUMBER	DESCRIPTION	Low RPM Variable Speed Drill
1	1	050-0201	Sierra FS End Table Top	
2	1	029-207	Sierra End Table Side	
3	2	001-245	Sierra Table Bracket	
4	13	021-010	Socket Cap Screw, 3/8-16 x 1" Black Oxide	
5	13	025-003	Lock Washer, 3/8 Black Oxide	
6	13	025-002	Fender Washer, 3/8 Black Oxide	
7	2	027-001	Pre-Installed Sierra Glide Assembly	





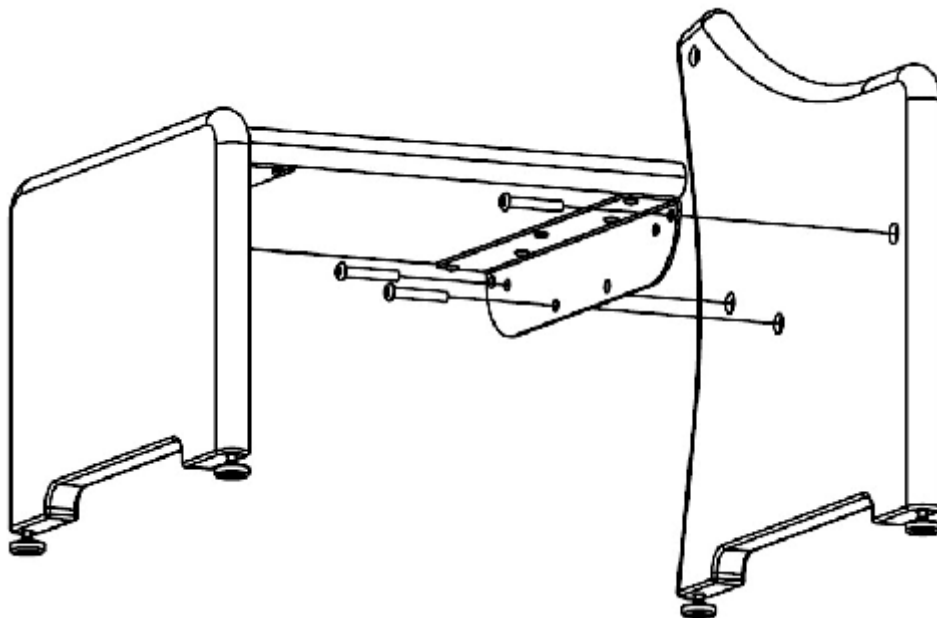
Step 1

Secure (2) Table Brackets to Table Top using (10) 3/8 x 1" Screws.



Step 2

Secure (1) Table Side to Table Bracket using (3) 3/8 x 1" Screws.



Step 3

Position Sierra seating unit. Secure Bracket to outside of seating unit's left or right arm using (3) 1/2 x 3" Screws from Sierra seating unit.