

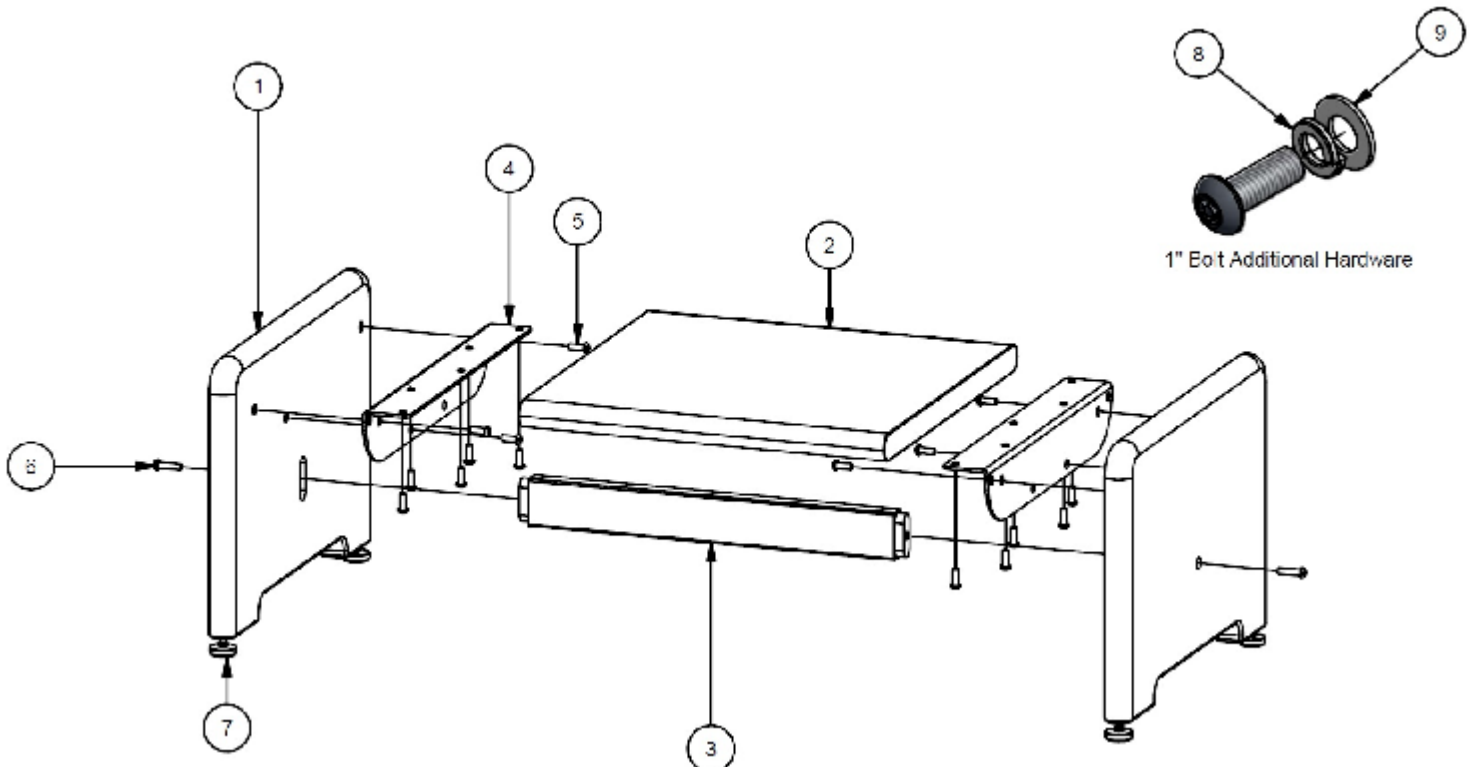
Assembly Notes: Norix is not responsible for any damage due to improper installation. If your shipment does not match the parts list, please contact Norix Customer Service at 800-234-4900. Norix reserves the right to modify design specifications at any time without an obligation to owners of previously sold products.

PARTS LIST

ITEM	QTY	PART NUMBER	DESCRIPTION
1	2	029-206	Sierra FS Table Side
2	1	050-0201 / 050-0200	Sierra FS End Table Top (C711-71 - 24"x24") / (C711-91 - 24"x50.5")
3	1	029-203 / 029-208	Sierra Rail (C711-71 - 24" Rail) / (C711-91 - 50.5" Rail)
4	2	001-245	Sierra Table Bracket
5	16	021-010	Socket Cap Screw, 3/8-16 x 1" Black Oxide
6	2	021-009	Socket Cap Screw, 3/8-16 x 1.5" Black Oxide
7	4	027-001	Pre-Installed Sierra Glide Assembly
8	16	025-003	Lock Washer, 3/8 Black Oxide
9	16	025-002	Fender Washer, 3/8 Black Oxide

Tools Needed

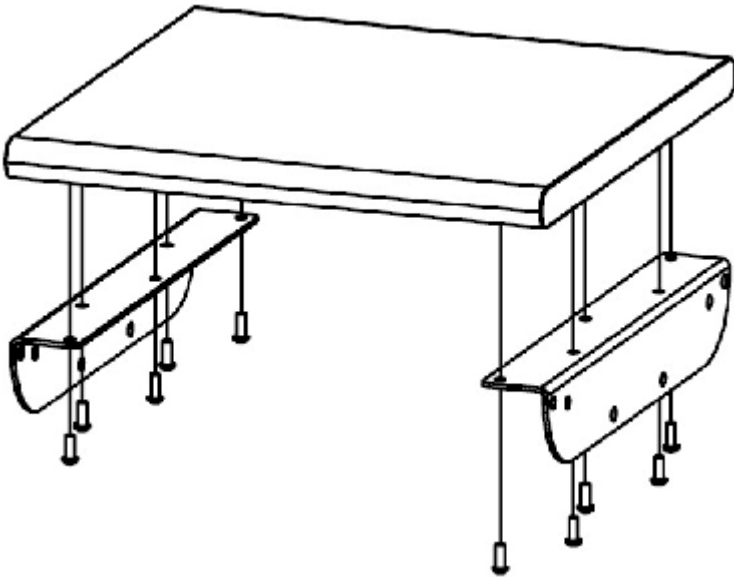
Low RPM Variable Speed Drill



1" Bolt Additional Hardware

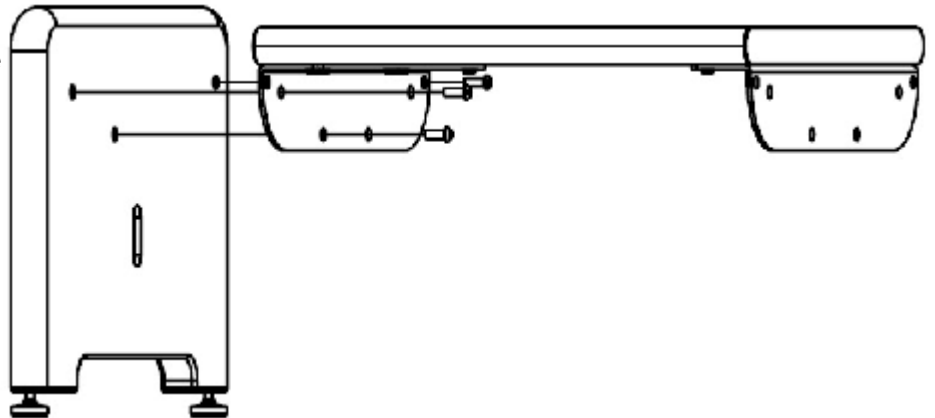
Step 1

Secure (2) Table Brackets to Table Top using (10) 3/8 x 1" Screws.



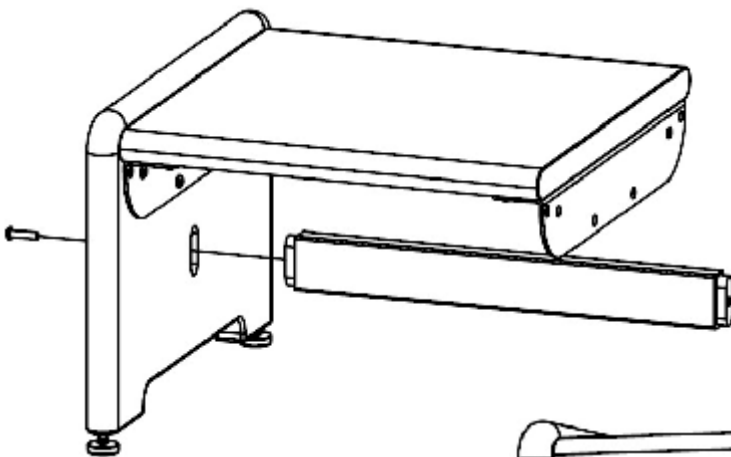
Step 2

Secure (1) Table Side to Table Bracket using (3) 3/8 x 1" Screws.



Step 3

Place 24" Rail into Table Side slot. Secure using (1) 3/8 x 1.5" Screw.



Step 4

Place 24" Rail into Table Side slot. Secure Rail to Table Side using (1) 3/8 x 1.5" Screw. Secure Table Side to Bracket using (3) 3/8 x 1" Screws.

