

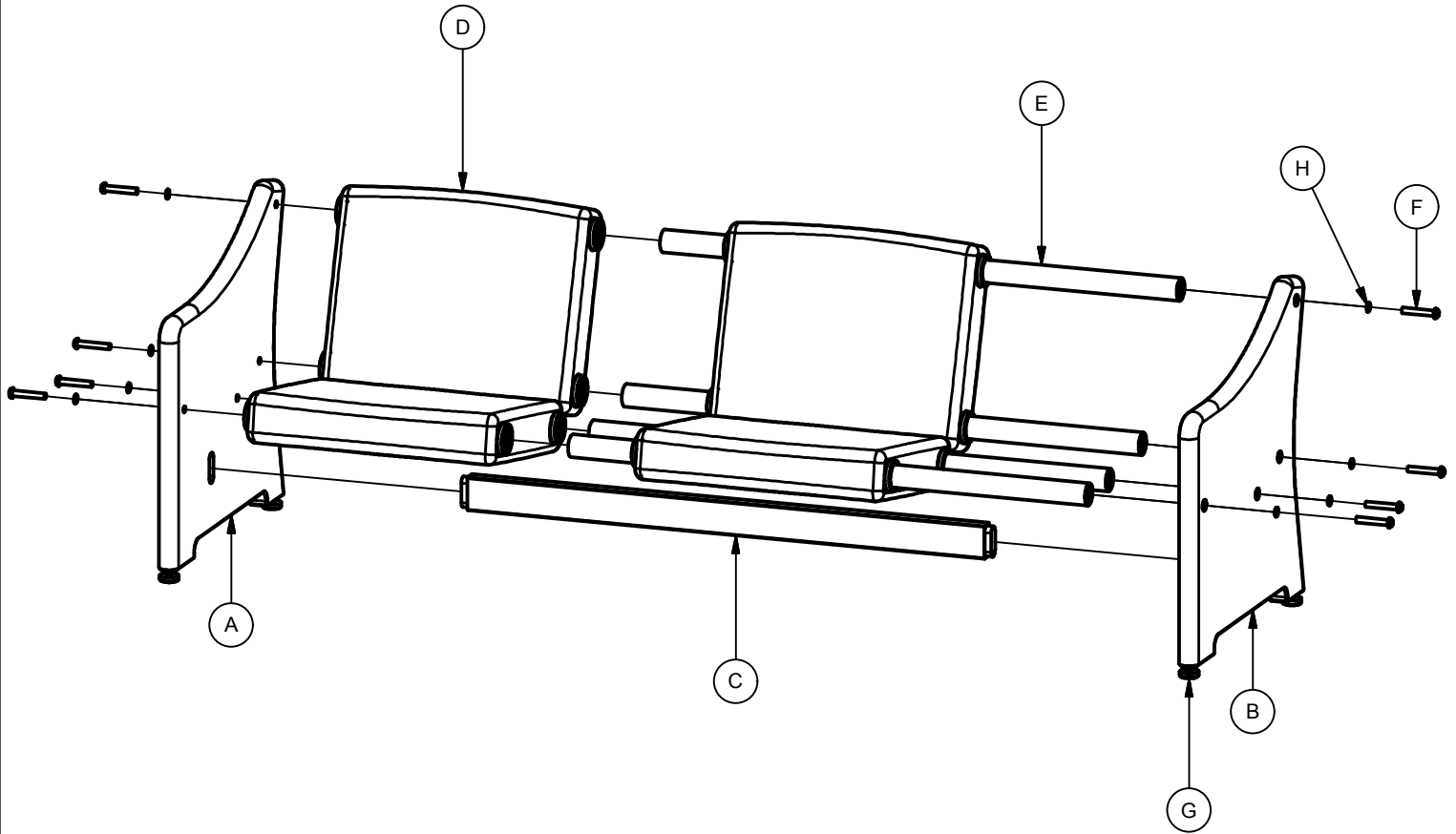
Assembly Notes: Norix is not responsible for any damage due to improper installation. If your shipment does not match the parts list, please contact Norix Customer Service at 800-234-4900. Norix reserves the right to modify design specifications at any time without an obligation to owners of previously sold products.

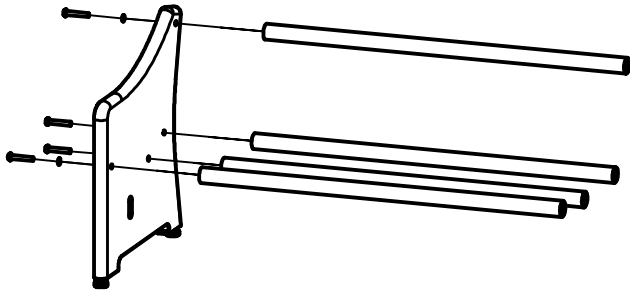
Parts List

ITEM	QTY	DESCRIPTION	NORIX PART NO.
A	1	Sierra Solid / Open Wood Arm - Left	029-200 / 029-209
B	1	Sierra Solid / Open Wood Arm - Right	029-201 / 029-210
C	1	Sierra 48" Rail	029-204
D	4	Sierra Cushion	040-11XXX
E	4	Sierra 48" Seat Supports	001-249
F	8	Socket Cap Screw, Btn. Hd., 3/8-16 x 3", Black Oxide	021-014
G	4	Pre-Installed Sierra Glide Assembly	027-001
H	8	Washer, Flat, 3/8 ID x 13/16 OD Steel, Black Oxide	026-017

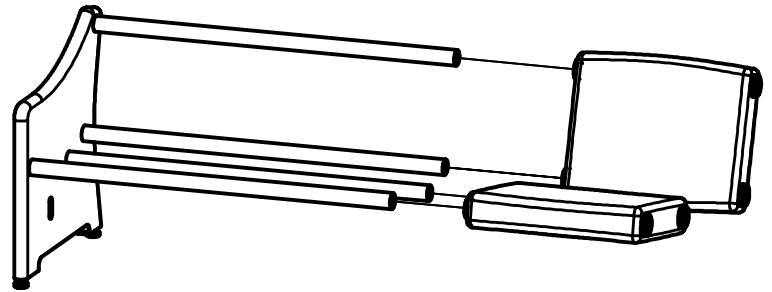
Assembly Notes
 1) Two people required for proper assembly.
 2) All Cushions are interchangeable.

Tools Needed
 Low RPM Variable Speed Drill

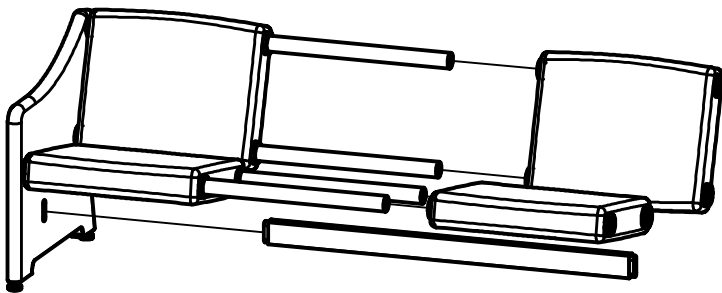




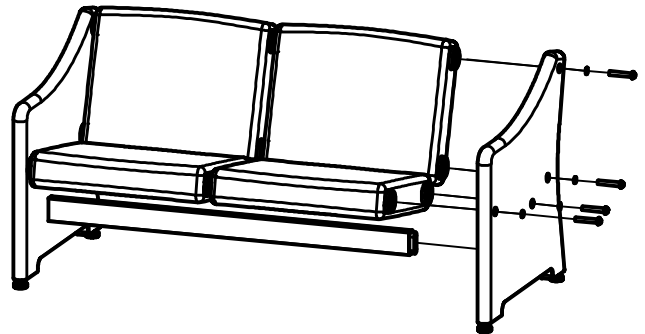
Step 1
 Secure Left Arm (A) to (4) 48" Seat Supports (E) using (4) 3/8"-16 x 3" Screws (F) and (4) 3/8" Washers (H).



Step 2
 Slide (2) Cushions (D) over 48" Seat Supports (E).



Step 3
 Slide (2) remaining Cushions (D) over 48" Seat Supports (E), and insert 48" Rail (C) into slot on Left Arm (A).



Step 4
 Place slot from Right Arm (B) over 48" Rail (C). Secure Right Arm (B) to (4) 48" Seat Supports (E) using (4) 3/8"-16 x 3" Screws (F) and (4) 3/8" Washers (H).