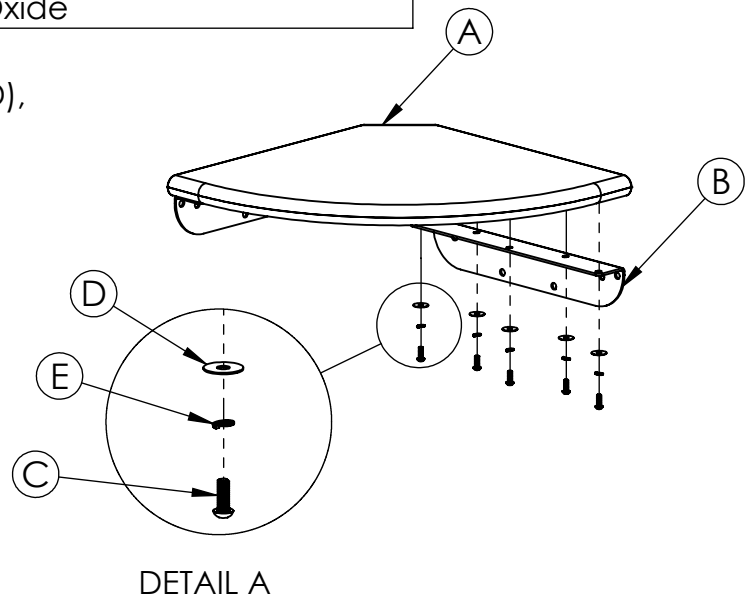


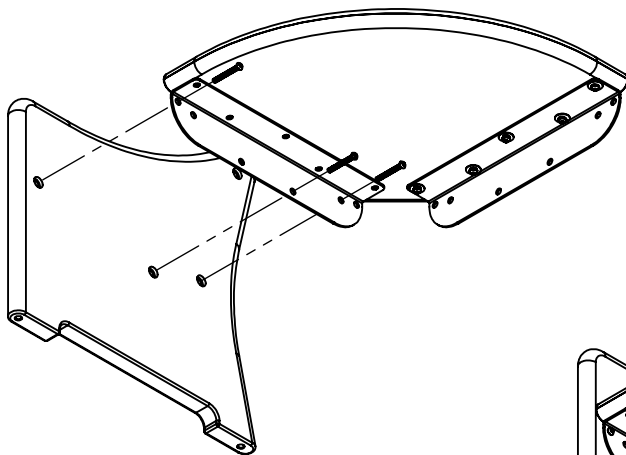
Assembly Notes: Norix is not responsible for any damage due to improper installation. If your shipment does not match the parts list, please contact Norix Customer Service at 800-234-4900. Norix reserves the right to modify design specifications at any time without an obligation to owners of previously sold products.

PARTS LIST				TOOLS NEEDED
ITEM	QTY	PART NO.	DESCRIPTION	Low RPM Variable Speed Drill
A	1	050-0204	Sierra Pie Shape Table Top	
B	2	001-245	Sierra Table Bracket	
C	10	021-010	Socket Cap Screw, 3/8-16 x 1" Black Oxide	
D	10	025-002	Fender Washer, 3/8 Black Oxide	
E	10	025-003	Lock Washer, 3/8 Black Oxide	

Step 1: Secure (2) Table Brackets (B) to Table Top (A) using (10) Screws (C), (10) Washers (D), and (10) Lock Washers (E)



Step 2: Position Sierra Seating unit. Secure Bracket to outside of Right Arm using (3) 1/2" x 3" Screws from Sierra Seating unit.



Step 3: Position adjacent Sierra Seating unit. Secure Bracket to outside of Left Arm using (3) 1/2" x 3" Screws from Sierra Seating unit.

