

Assembly Notes: Norix is not responsible for any damage due to improper installation. If your shipment does not match the parts list, please contact Norix Customer Service at 800-234-4900. Norix reserves the right to modify design specifications at any time without an obligation to owners of previously sold products.

### Parts List

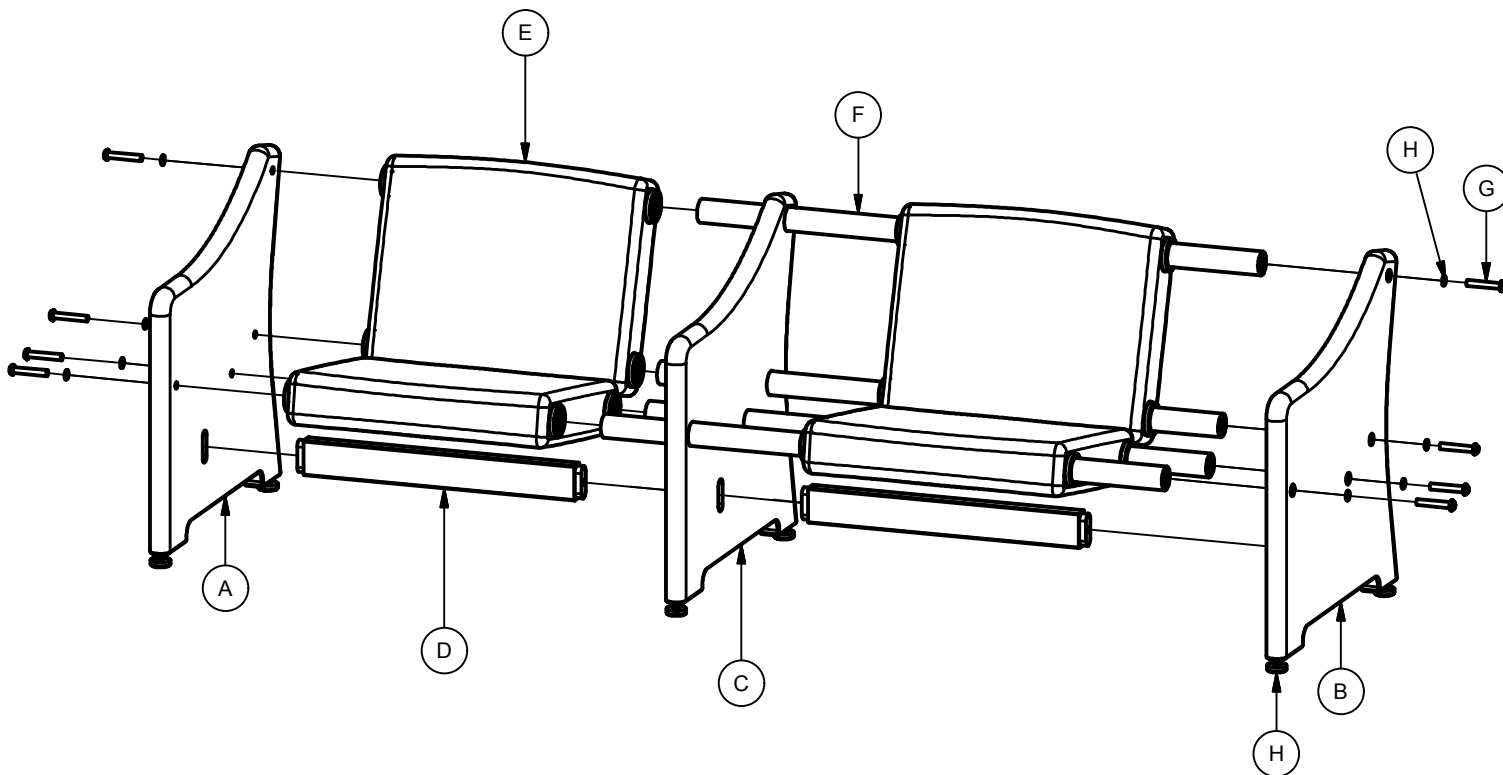
ITEM	QTY	DESCRIPTION	NORIX PART NO.
A	1	Sierra Solid / Open Wood Arm - Left	029-200 / 029-209
B	1	Sierra Solid / Open Wood Arm - Right	029-201 / 029-210
C	1	Sierra Solid / Open Wood Arm - Middle	029-202 / 029-211
D	2	Sierra 24" Rail	029-203
E	4	Sierra Cushion	040-11XXX
F	4	Sierra 49.75" Seat Supports	001-251
G	8	Socket Cap Screw, Btn. Hd., 3/8-16 x 3", Black Oxide	021-014
H	6	Pre-Installed Sierra Glide Assembly	027-001
I	8	Washer, Flat, 3/8 ID x 13/16 OD Steel, Black Oxide	026-017

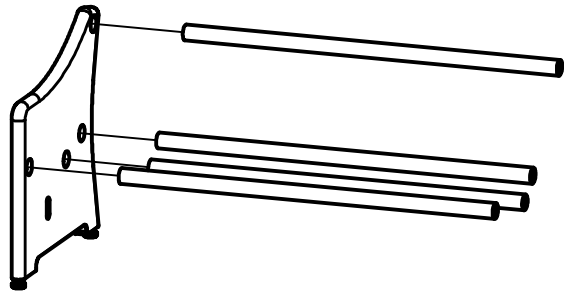
**Assembly Notes**

- 1) Two people required for proper assembly.
- 2) All Cushions are interchangeable.
- 3) Holes in Rails are to be disregarded in this assembly.

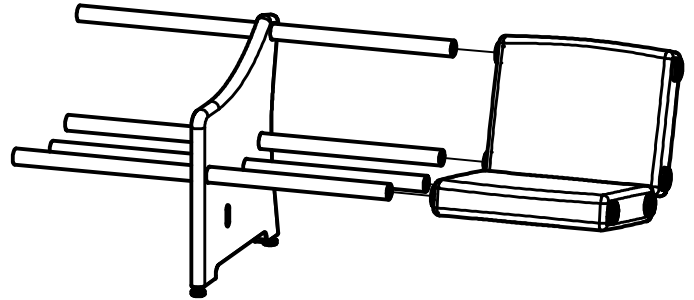
**Tools Needed**

Low RPM Variable Speed Drill

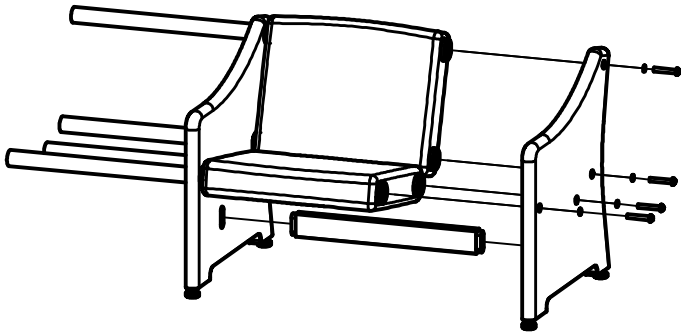




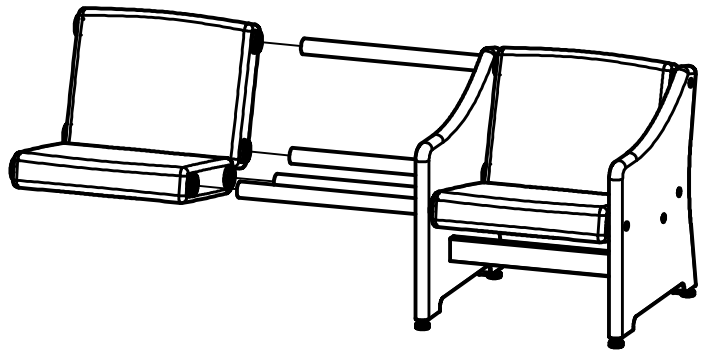
**Step 1**  
 Insert (4) 49.75" Sierra Seat Supports (F)  
 into (1) Sierra Middle Arm (C).



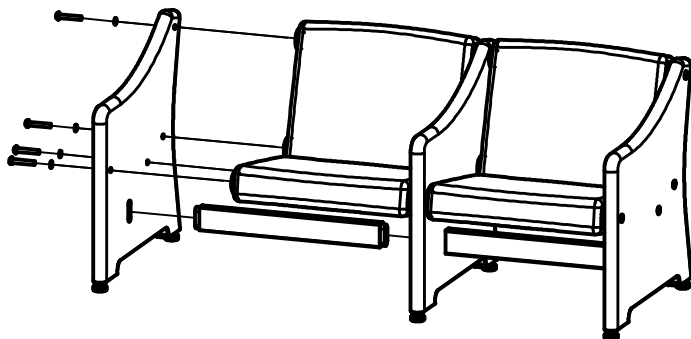
**Step 2**  
 Slide (2) Cushions (E) over  
 Seat Supports (F).



**Step 3**  
 Place (1) 24" Rail (D) into Middle Arm (C).  
 Align 24" Rail (D) with Right Arm (B).  
 Secure Right Arm (B) to (4) 49.75" Seat  
 Supports (F) using (4) 3/8"-16 x 3" (G) Screws  
 and (4) 3/8" Washers (I).



**Step 4**  
 Slide (2) Cushions (E) over  
 Seat Supports (F).



**Step 5**  
 Place (1) 24" Rail (D) into slot on Middle Arm (C).  
 Align 24" Rail (D) with Left Arm (A).  
 Secure Left Arm (A) to (4) 49.75" Seat  
 Supports (F) using (4) 3/8"-16 x 3" Screws (G)  
 and (4) 3/8" Washers (I).