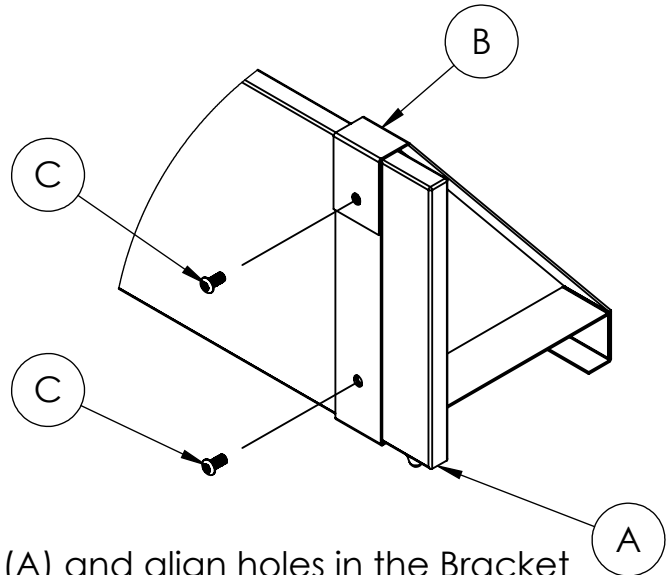
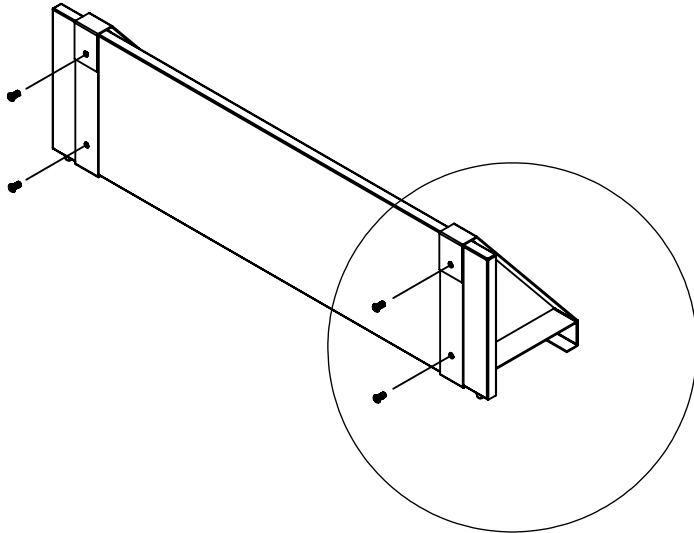


Assembly Notes: Norix is not responsible for any damage due to improper installation. If your shipment does not match the parts list, please contact Norix Customer Service at 800-234-4900. Norix reserves the right to modify design specifications at any time without an obligation to owners of previously sold products.

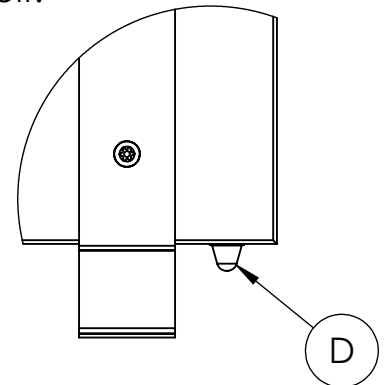
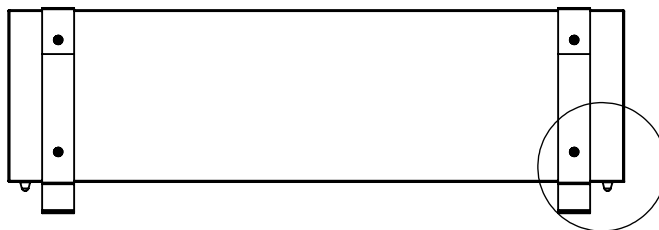
ITEM NO.	QTY.	PART NUMBER	DESCRIPTION
A	1	030-T027-XX	Titan Loft Shelf, HPL
B	2	029-T009-XX	Titan Loft Shelf Bracket
C	4	021-051	Screw, Machine 5/16-18 x 5/8" L., BH, Pin In Torx T40, Zinc, Thd. Lk.
D	2	027-202	Bumper, .720" Dia. x .560" H., Clear
E	1	071-002	Pin in Torx Bit, T-40

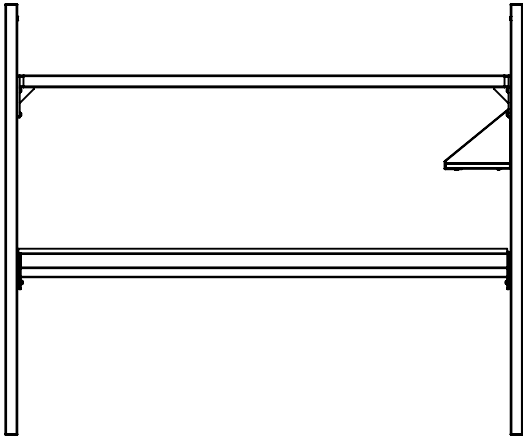


Step 1. Slide one Bracket (B) over the Shelf (A) and align holes in the Bracket with the threaded inserts in the bottom of the Shelf and secure with two 5/16-18 Screws (C). Repeat to secure the other Bracket to the Shelf.

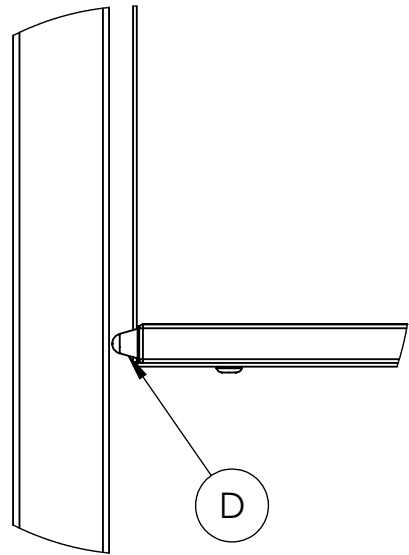
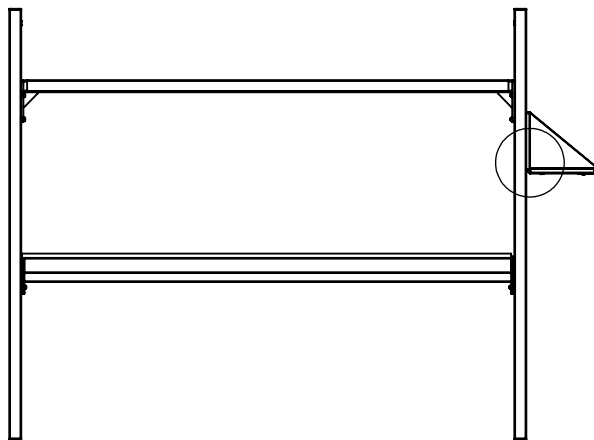
Step 2. Hang the Shelf over the desired horizontal bar on the inside of the Endframe

Step 3. Only if the Shelf will be used on the outside of the bed frame. Add one Bumper (D) to the right and left back side of the Shelf.





Shelf on inside of frame - No Bumpers required



Shelf on outside of frame - Bumpers (D) required