

Assembly Notes: Norix is not responsible for any damage due to improper installation. If your shipment does not match the parts list, please contact Norix Customer Service at 800-234-4900. Norix reserves the right to modify design specifications at any time without an obligation to owners of previously sold products.

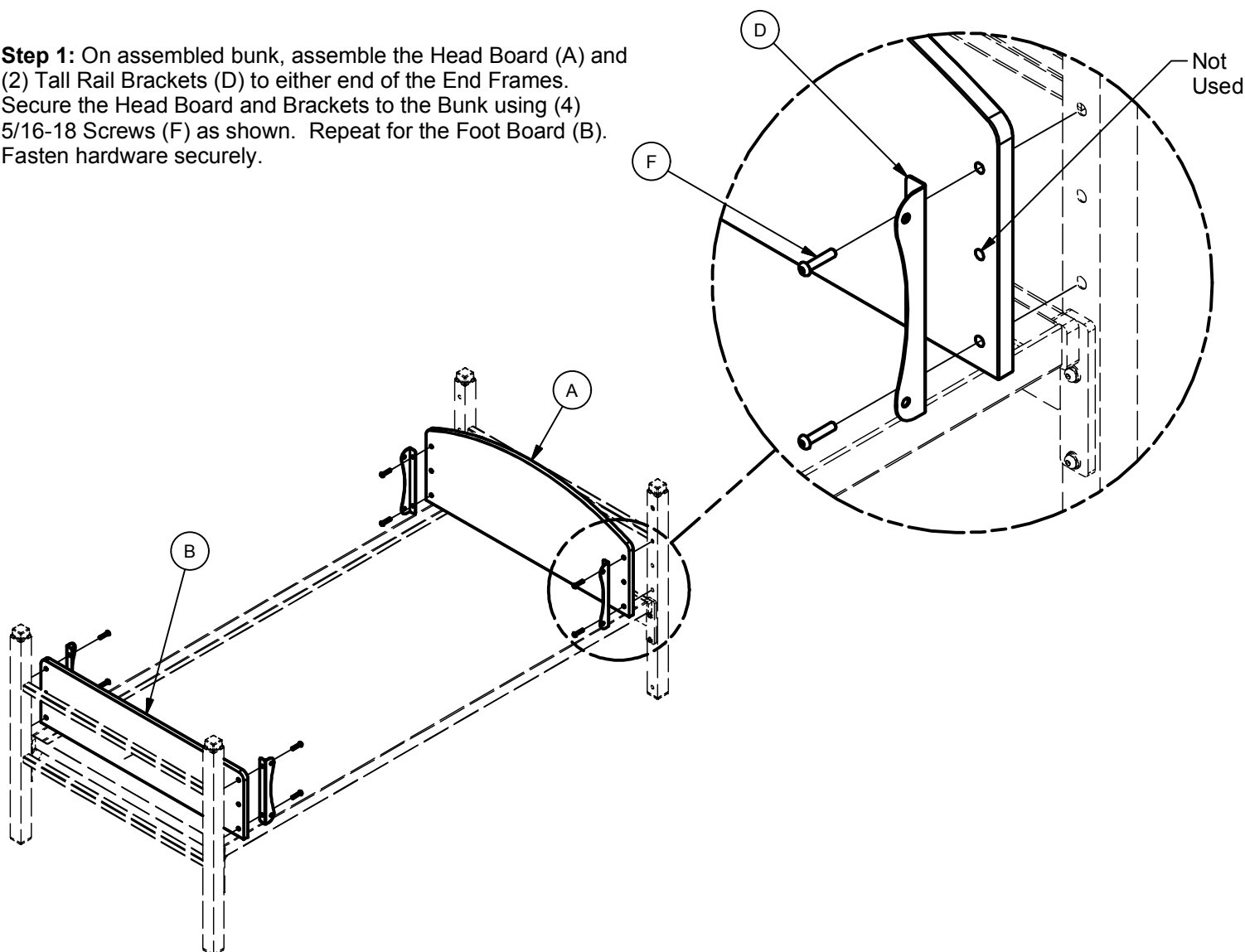
Parts List

ITEM	QTY	PART NUMBER	DESCRIPTION
A	1	030-T006-XX	Headboard, Short
B	1	030-T007-XX	Footboard, Short
C	2	030-T011-XX	Side Rail, Tall, HPL
D	4	029-T005-XX	Bracket, Side Rail, Tall
E	2	029-T007-XX	Bracket, Titan, Center, HPL Bed Rails
F	8	021-101 / 021-102	Standard: Screw, 5/16-18 X 1.5 L, Btn Hd, Hex Skt (Zinc / Black)
F	8	021-116 / 021-007	Security: Screw 5/16-18 X 1.5 L, Btn Hd, Torx Pin (Zinc / Black)
G	10	021-108	Standard: Screw 1/4-20 X 3/4" L, BH, Cross Slot, Female
G	10	021-119	Security: Screw 1/4-20 X 3/4" L, BH, S-Torx, Female
H	10	021-107 / 021-115	Standard: Screw, 1/4-20 X .75, Recessed Hex Socket Cap, (Zinc / Black)
H	10	021-077 / 021-062	Security: Screw, 1/4-20 X .75, Torx Pin (Zinc / Black)
I	20	026-006 / 025-031	Washer, Flat, 11/32 ID (Zinc / Black)

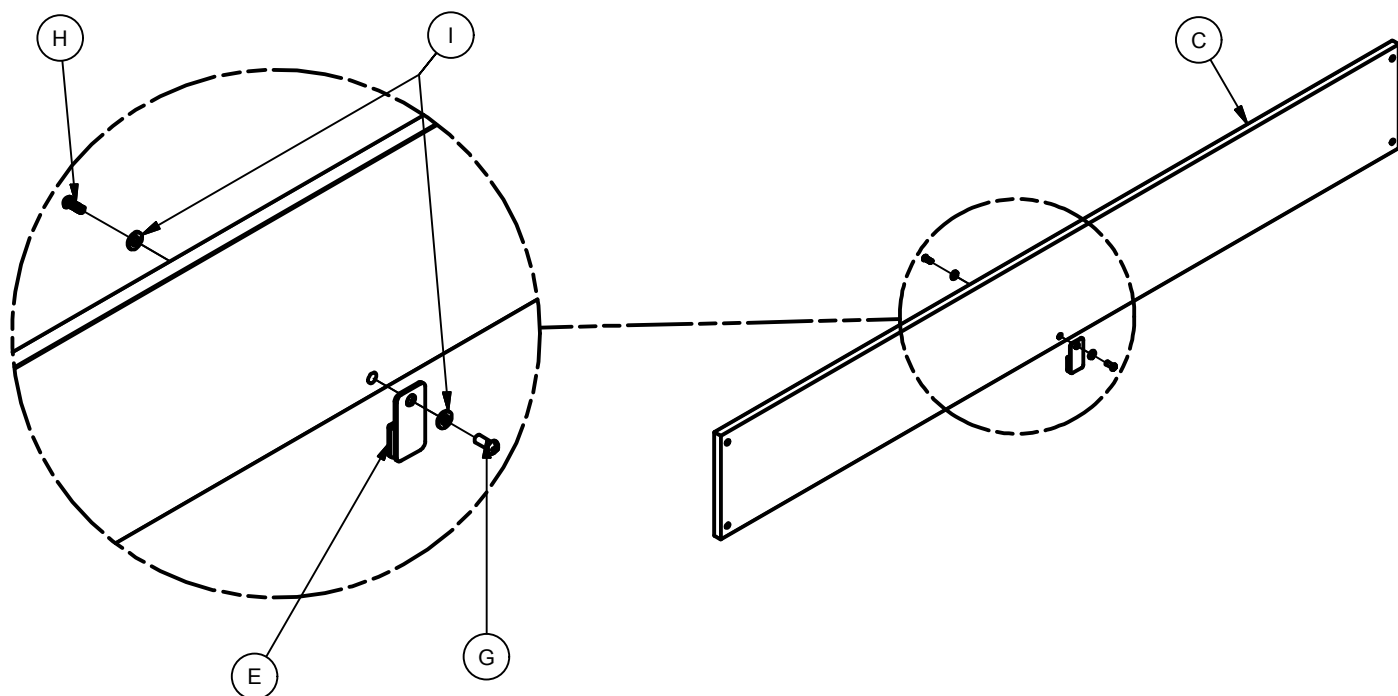
Tools Needed

Low RPM Variable Speed Drill
3/16" Hex Driver OR T-40
5/32" Hex Driver OR T-27
Driver Extension
Philips Head Screwdriver
7/16" Wrench

Step 1: On assembled bunk, assemble the Head Board (A) and (2) Tall Rail Brackets (D) to either end of the End Frames. Secure the Head Board and Brackets to the Bunk using (4) 5/16-18 Screws (F) as shown. Repeat for the Foot Board (B). Fasten hardware securely.



Step 2: Assemble the Bed Rail Bracket (E) to the one of the Side Rails (C) and secure it using a Female Screw (G), (2) Flat Washers (I) and 1/4-20 Screw (H) as shown. Repeat the for the other Side Rail (C). Fasten hardware securely.



Step 3: Place one of the assembled Side Rails to the Bunk and secure it using a (2) Female Screw (G), (4) Flat Washers (I) and (2) 1/4-20 Screw (H) on each corner as shown. Note the correct orientation of the Brackets in the detail and cutaway view. Repeat the for the other assembled Side Rail. Fasten hardware securely.

