

Titan Safety Rail Assembly Instructions

Model Number
TNT0500-00XT

www.norix.com • TEL 800 234-4900

Assembly Notes: Norix is not responsible for any damage due to improper installation. If your shipment does not match the parts list, please contact Norix Customer Service at 800-234-4900. Norix reserves the right to modify design specifications at any time without an obligation to owners of previously sold products.

Parts List				Tools Needed
ITEM	QTY.	PART NUMBER	DESCRIPTION	Low RPM Variable Speed Drill
A	1	030-114-XX	Safety Rail, Titan	7/16" Drill Bit
B	3	021-010	Screw 3/8-16 x 1 Btn Hd Torx Pin Blk Ox	T-45 Torx Driver
C	3	025-003	Washer 3/8 Lock, Blk Ox	5/8" Wrench
D	2	026-008	Nut/Washer Assy 3/8-16 Weld Nut, w/Driloc, Zinc	
E	1	025-024	Nut 3/8-16 Zinc	

Mounting the Safety Rail to a Panel Bed.

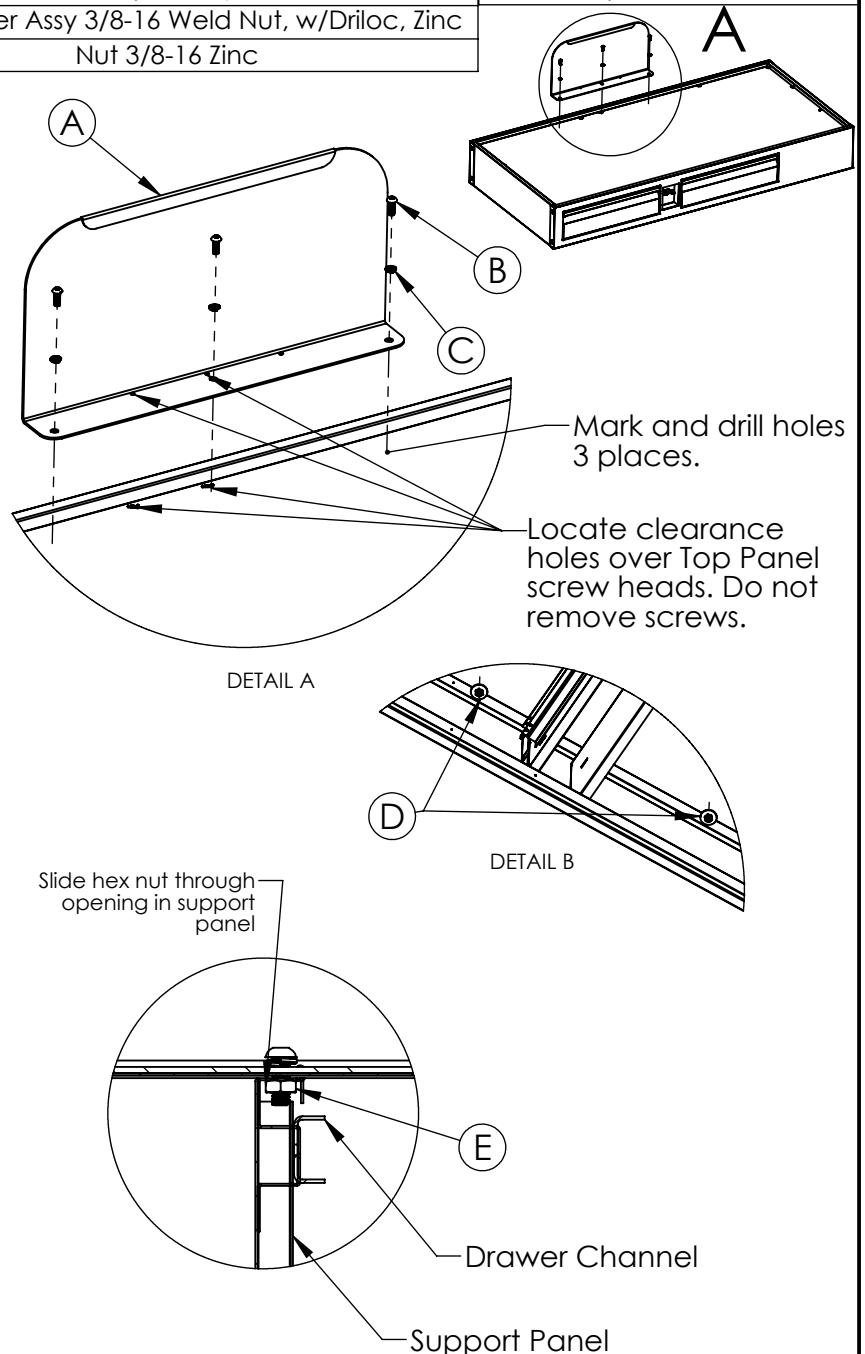
- If unit has drawers, the drawers will need to be removed to allow fasteners to be assembled underneath. To remove drawers, remove the two drawer stop screws inside the drawers.

NOTE: (1) 026-008 NUT / WASHER IS NOT REQUIRED FOR THIS INSTALLATION.

1. Mark (3) hole locations on bed Top Panel to be drilled. Use Top Panel attachment screws to locate the Safety Rail (Detail A). The screw heads will fit into the small clearance holes in the bottom flange on the Safety Rail. The screws should not need to be removed. Mark the (3) hole locations to be drilled. Use a center punch as needed, and drill the holes to 7/16" dia. One of the holes may go through the top flange of the support panel underneath the bed (if so equipped). Clean burrs from the holes.

2. Referring to Detail A, assemble the Safety Rail to the bed using (3) 3/8" Screws (B), and (3) 3/8" Lock Washers (C). On the underneath side, (2) 3/8" Nut/Washers (D) will be used in the locations where there is no support panel (Detail B). In the support panel location (Detail C), a Hex Nut (E) will be used. Insert the Hex Nut in the opening and slide into place. When the screw is tightened from the top, it will draw the Hex Nut tight.

3. Tighten hardware securely.



Parts List

ITEM	QTY	PART NUMBER	DESCRIPTION
A	1	030-114-XX	Safety Rail, Titan
B	3	021-010	Screw 3/8-16 x 1 Btn Hd Torx Pin Blk Ox
C	3	025-003	Washer 3/8 Lock, Blk Ox
D	3	026-008	3/8-16 Flanged Nut

Mounting the Safety Rail to a Frame Style Bed.

NOTE: (1) 025-024 NUT 3/8-16 ZINC IS NOT REQUIRED FOR THIS INSTALLATION.

1. Locate Safety Rail in desired position and mark (3) hole locations on bed to be drilled. Use a center punch as needed, and drill the holes to 7/16" dia., first drilling a small pilot hole and progressing upward in size to 7/16". Clean burrs from the holes.

2. Assemble the Safety Rail to the bed using (3) 3/8" Screws (B), 3/8" Lock Washers (C), and 3/8" Nut/Washers (D).

3. Tighten hardware securely.

