

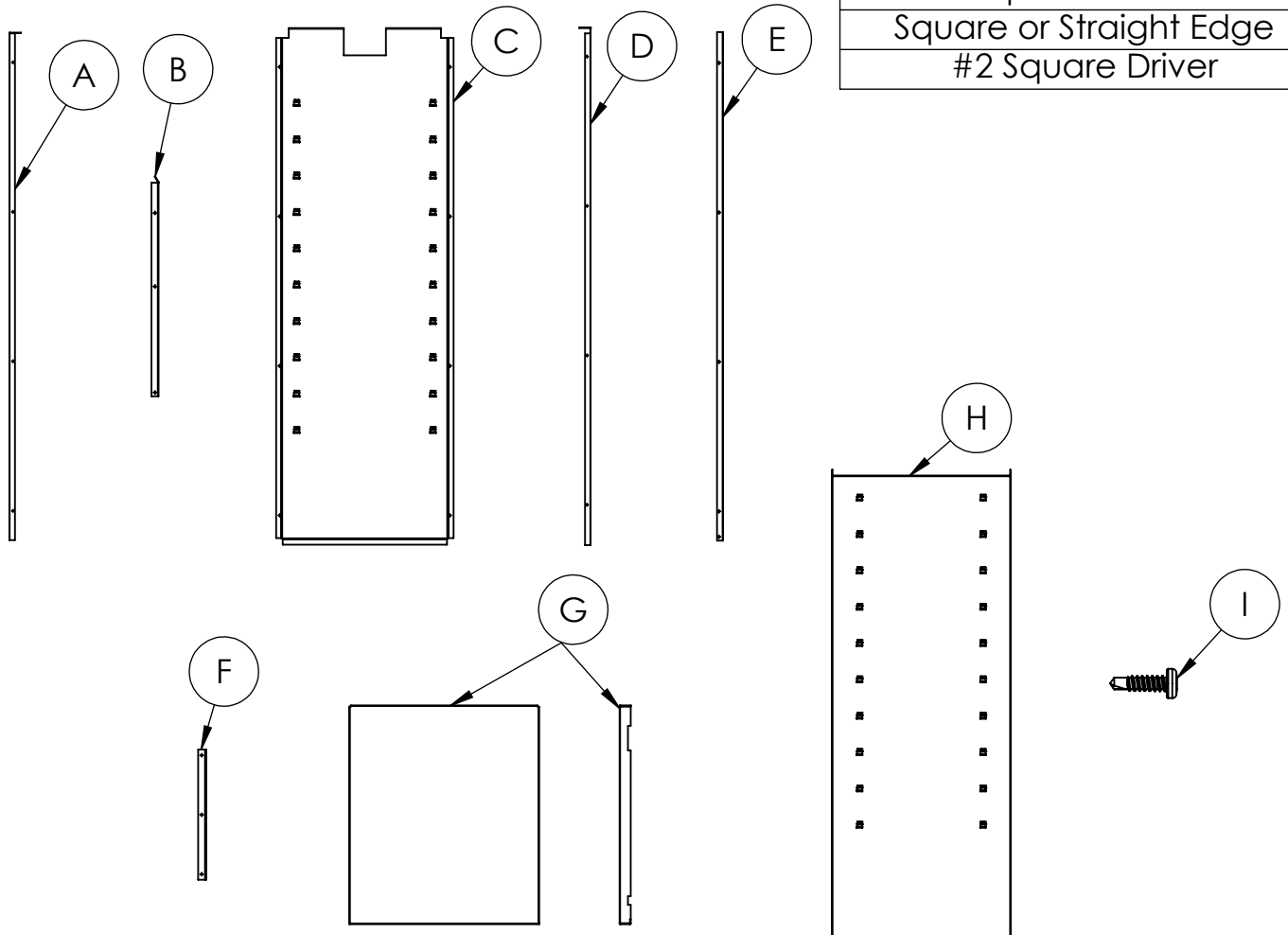
Assembly Notes: Norix is not responsible for any damage due to improper installation. If your shipment does not match the parts list, please contact Norix Customer Service at 800-234-4900. Norix reserves the right to modify design specifications at any time without an obligation to owners of previously sold products.

PARTS LIST

ITEM NO.	QTY	PART NUMBER	DESCRIPTION
A	1	PN1390-630	Wardrobe Divider Back Holder
B	1	PN1390-632	Wardrobe Divider Bottom Holder
C	1	PN1390-639	Wardrobe Divider - Divider Wall Stiffener Weld Assembly
D	1	PN1390-631	Wardrobe Divider Front Holder
E	1	PN1390-633	Wardrobe Divider Front Facia Cover
F	1	PN1390-634	Wardrobe Divider Top Holder Spacer
G	3	PN1390-636	Wardrobe Divider Shelf
H	1	PN1390-637	Wardrobe Divider Side Inner Wall
I	20	021-103	Screw, Self-Drilling, #10-16 X .625" PH, SQ, Zinc.

The following instructions show the shelving installed on the right side of the Wardrobe.

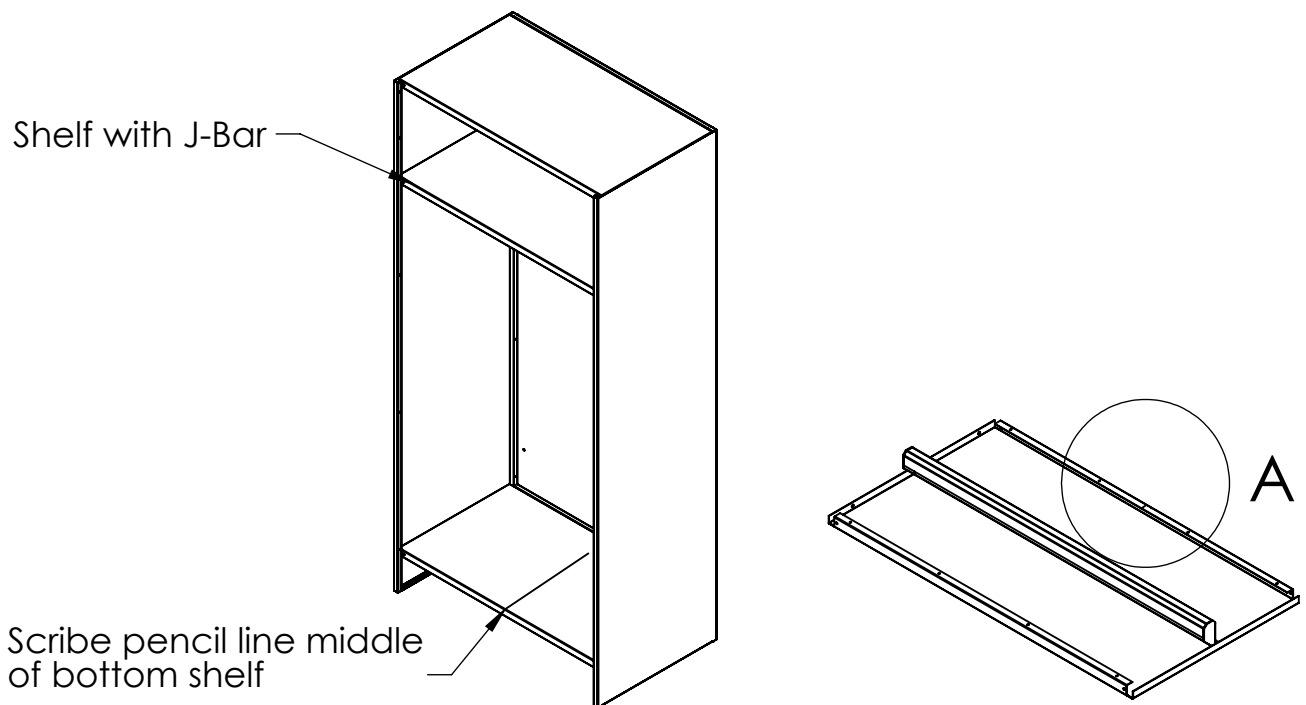
Tools Needed
Low RPM Variable Speed Drill
Tape Measure
Square or Straight Edge
#2 Square Driver



Doors have been removed for clarity.

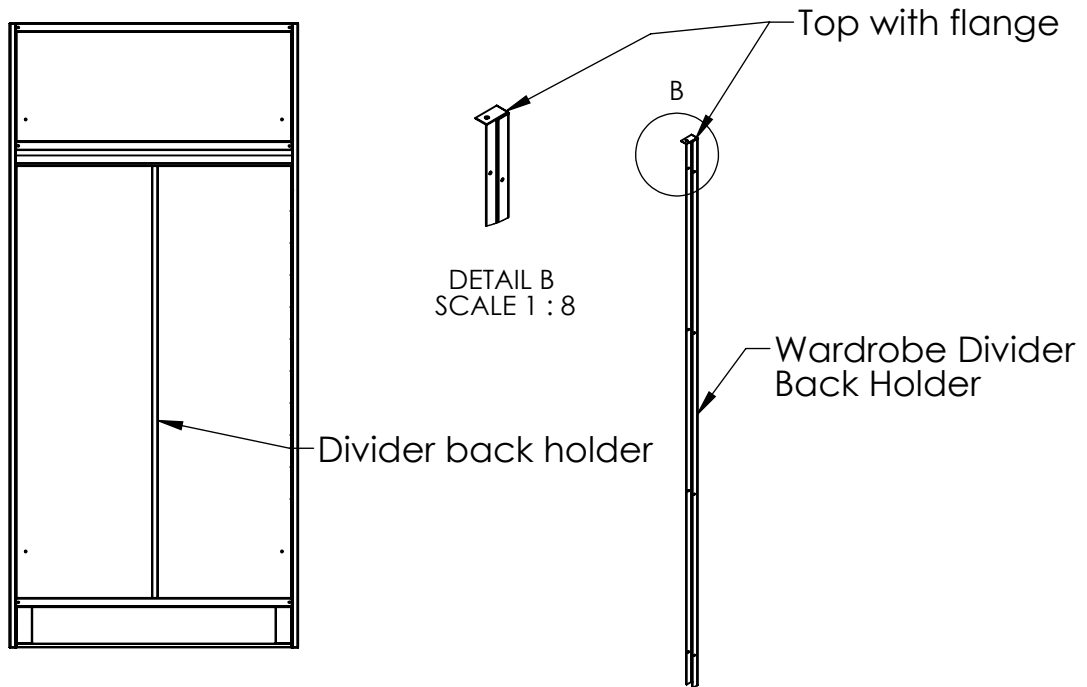
- 1) Shelf with J-Bar must remain in place.
- 2) Using a measuring tape scribe a pencil line front to back on the middle of the bottom, measuring from both sides for accuracy.
- 3) Do the same for the back flange on the underside of the existing shelf but only on the flange itself.

Note: If installing in a **Single Door Wardrobe** you will have to measure 17-15/16" from the side you would like the shelves on.

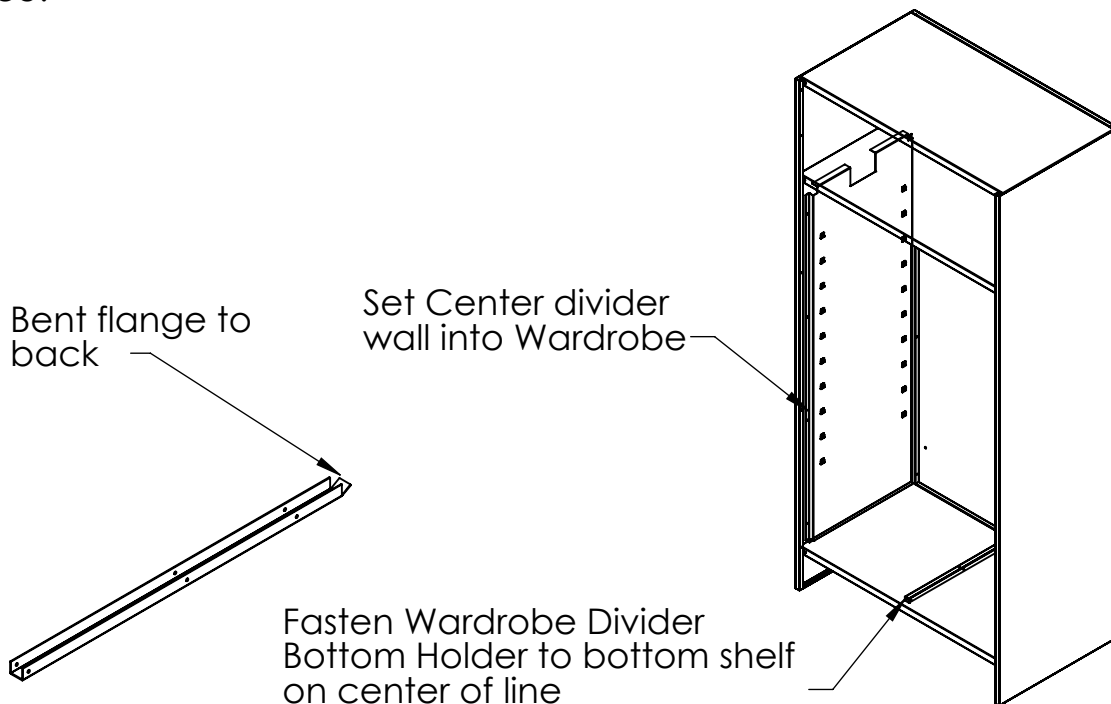


DETAIL A
SCALE 1 : 8

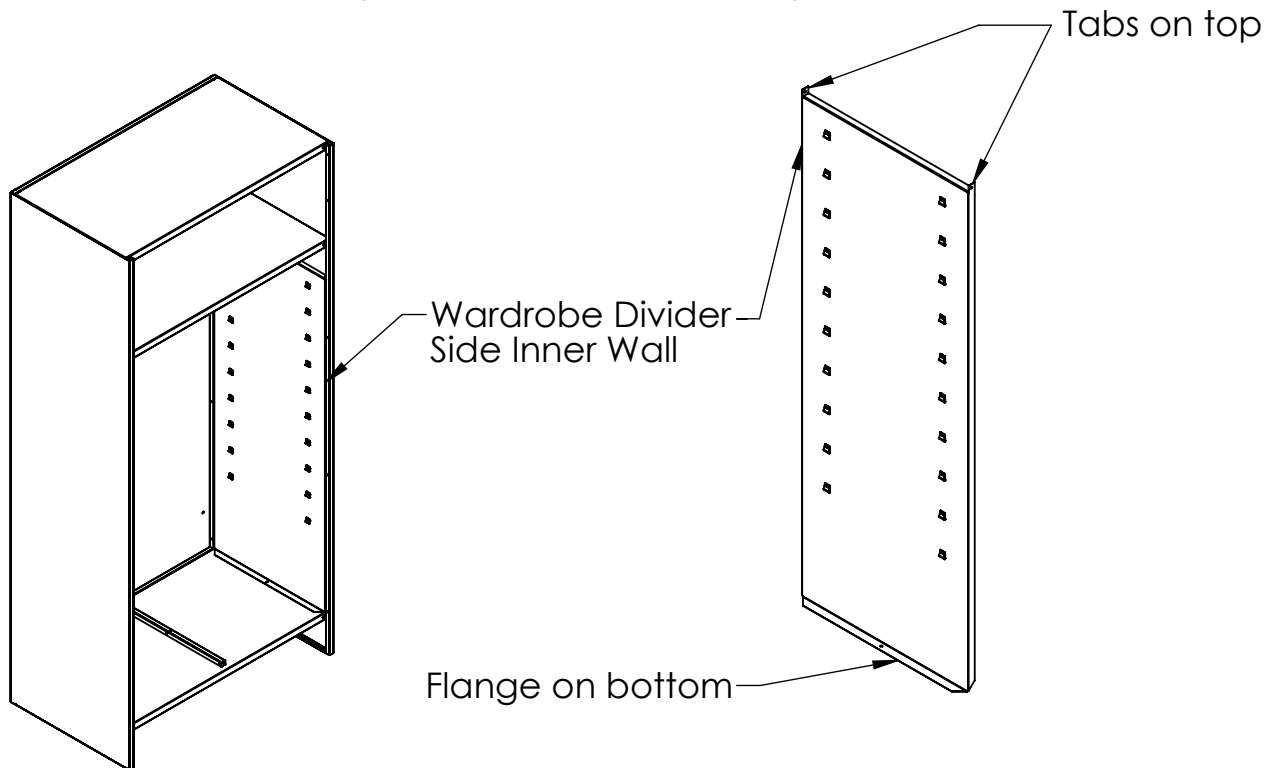
4) Place Wardrobe Divider Back Holder (A) (distinguished by bottom of channel with straight cut and top of channel with flange extending) on to back of unit, with self tapping screw attach channel to underside of shelf flange on pencil line. Channel must be tight against the back and bottom of the Wardrobe.



5) At this time you should choose which side the shelving will be on and set the Wardrobe divider (C) into the Wardrobe. The Wardrobe Divider Bottom Holder (B) has a tab bent up at the back which enters into the forming of vertical channel. Now attach the Wardrobe Divider Bottom Holder with self drilling screws centered on the scribe line, the tab on the back of the channel holds the vertical channel in place.

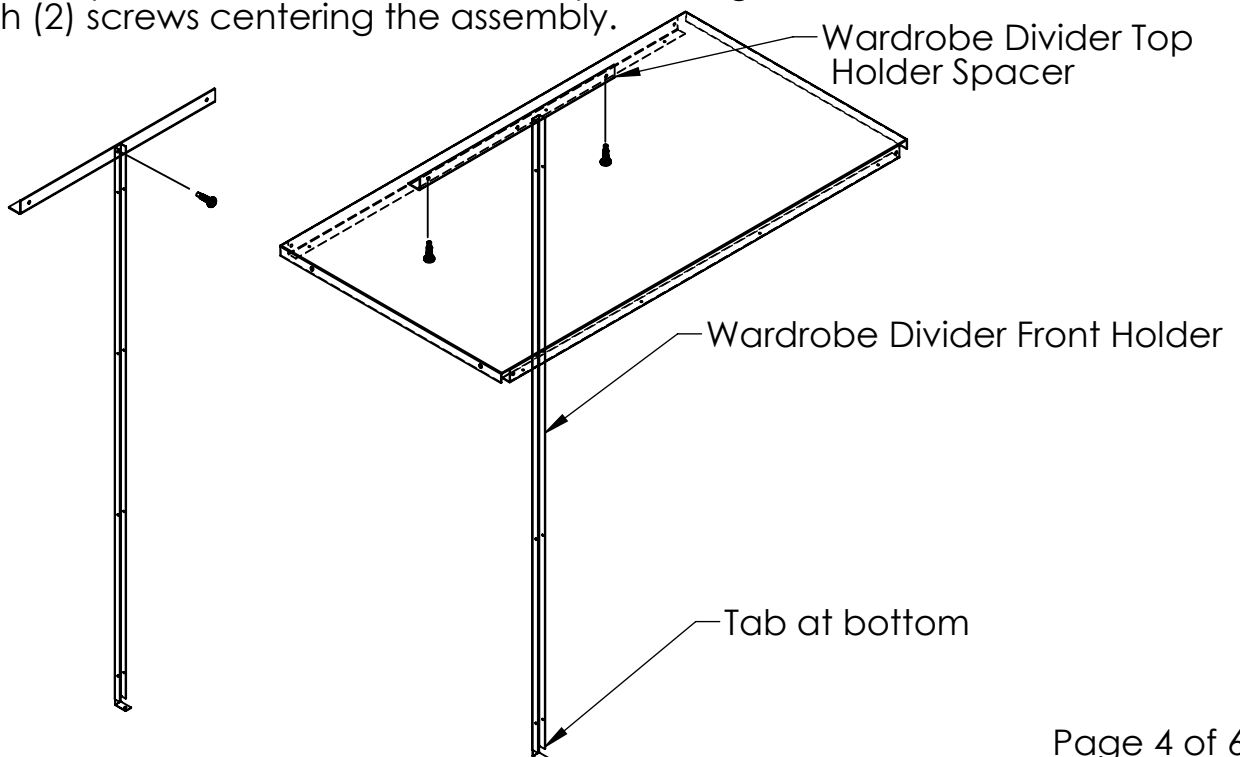


6) Place Wardrobe Divider Side Inner Wall (H) into Wardrobe being sure it is tight to the side wall and bottom of the Wardrobe. Attach with self drilling screws in (3) locations, upper left and right tabs and bottom flange.



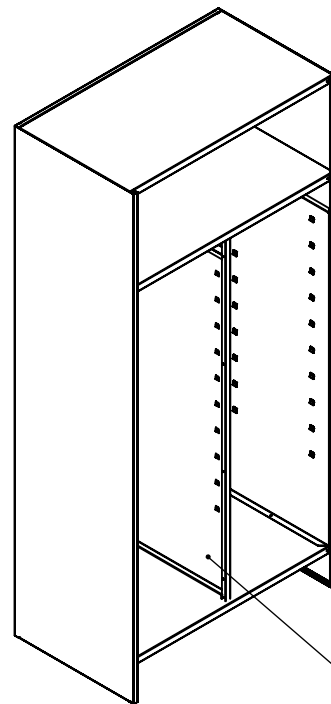
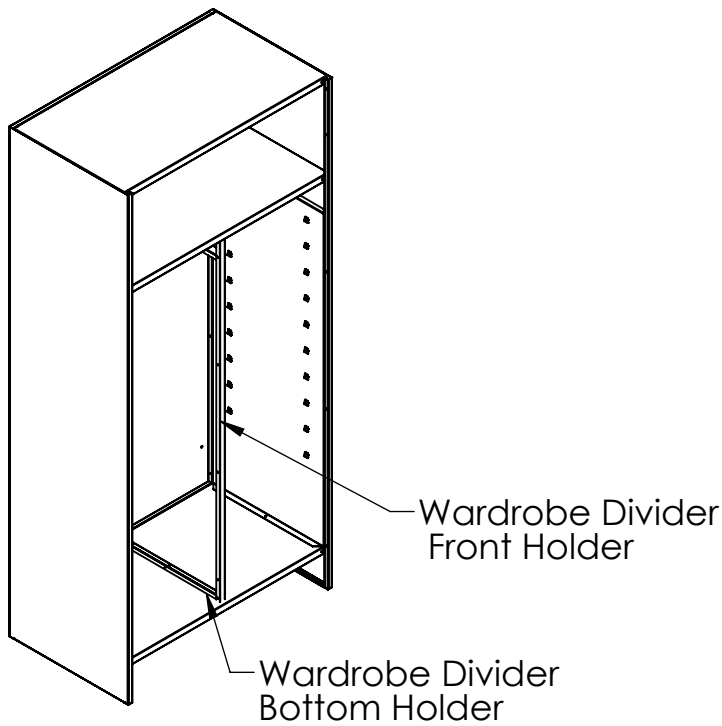
7) Attach Wardrobe Divider Top Holder Spacer (F) to Wardrobe Divider Front Holder (D) with (1) self drilling screw. Place assembly into front shelf forming, tilting assembly forward to allow bottom extending tab to enter into the Wardrobe Divider Bottom Holder.

Note: Screw in Wardrobe Divider Bottom Holder may need to be removed to allow tab entry and attachment. Holes in spacer align with holes in shelf, secure with (2) screws centering the assembly.

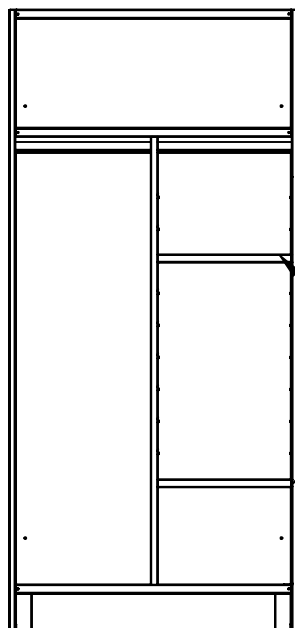


8) Move the Wardrobe Divider Wall (C) into the opening created by channels and secure with self drilling screws at center back and bottom only. At this time insert two Wardrobe Divider Shelves (G) into (top & Bottom) onto the tabs of the side and center wall assuring proper location of attachment channels, adjust for proper fit if necessary.

Note: If installing in a **Single Door Wardrobe** secure with one screw in the bottom center and one front center temporarily. Insert two shelves (top & bottom) onto the tabs of the side and center wall assuring proper location of attachment channels, adjust fo proper fit if necessary. When fit is assured, locate shelves where needed and attach with screws through tabs. This is necessary as screws cannot be accessed at the back channel.

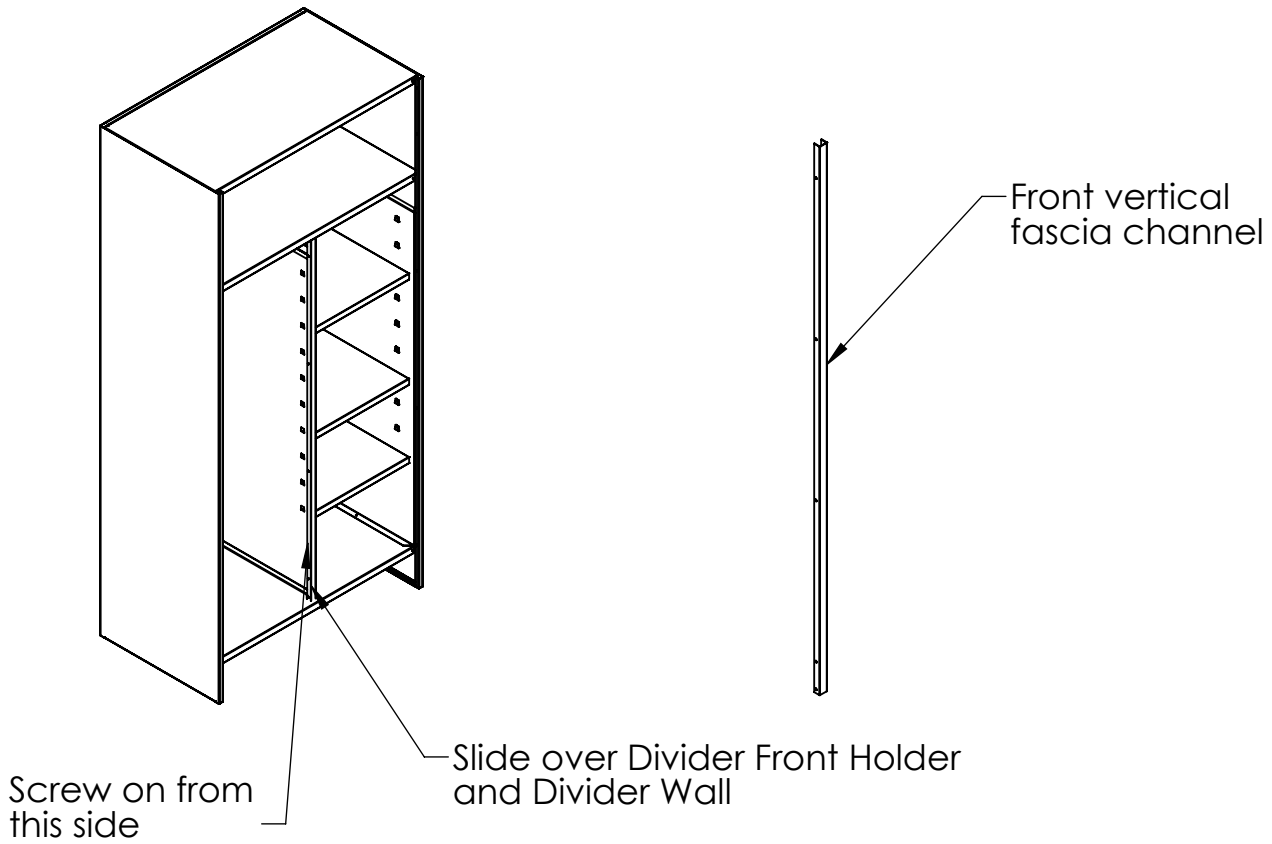


Wardrobe Divider wall slid into place.



Top and bottom shelves installed

9) Wardrobe Divider Front Fascia Cover (E) slides over front of Divider Wall (C) and Divider Front Holder (D) and attaches with screws on side opposite the shelves.



10) Complete by fastening Divider Wall with screws at back and bottom.

