

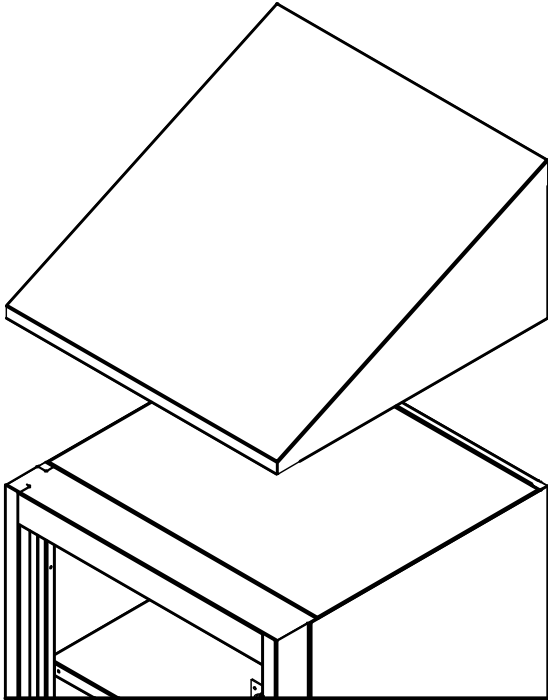
Assembly Notes: Norix is not responsible for any damage due to improper installation. If your shipment does not match the parts list, please contact Norix Customer Service at 800-234-4900. Norix reserves the right to modify design specifications at any time without an obligation to owners of previously sold products.

Parts List

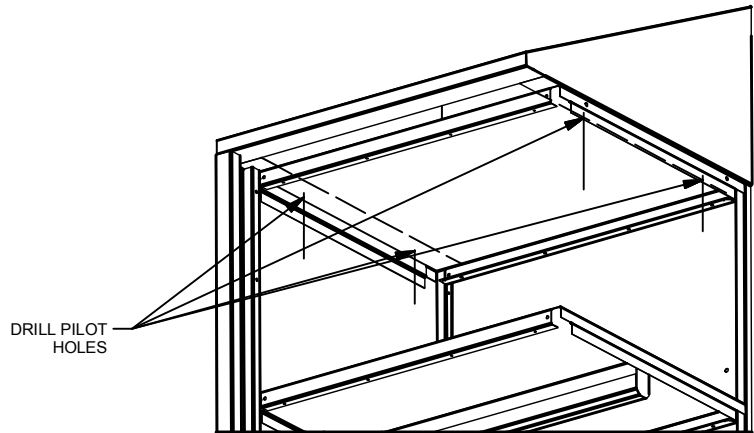
ITEM	QTY	PART NUMBER	DESCRIPTION
1	1	8100ST-001T	Wardrobe Titan Single Slope Top
2	4	021-103	Screw, Self Drilling, #10-16 X 0.625, PH, SQ, Zinc

1) Two people required for proper assembly.

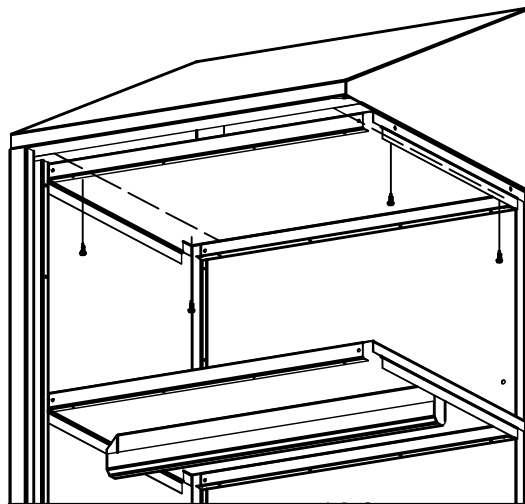
Tools Needed
Low RPM Variable Speed Drill
Drill Bit
Square Driver



STEP 1:
Line up the sloped top with the front and sides of the wardrobe



STEP 2:
Drill (4) pilot holes in the top of the wardrobe that will line up with the sides flanges on the sloped top. (Removed Wardrobe body and door for clarity)



DETAIL STEP 3:
Use self drilling screws through the top of the wardrobe into the side flange's of the sloped top. (Removed Wardrobe body and door for clarity)