

Assembly Notes: Norix is not responsible for any damage due to improper installation. If your shipment does not match the parts list, please contact Norix Customer Service at 800-234-4900. Norix reserves the right to modify design specifications at any time without an obligation to owners of previously sold products.

PARTS LIST

ITEM	QTY	PART NUMBER	DESCRIPTION
A	1	011-004	TOUGH-CARE LOUNGE & MEGA-MAX PLATE, BOLT DOWN
B	4	021-051	SCREW 5/16-18 x .625 BH TP ZINC DRILLOC

1) Two people required for proper assembly.

Tools Needed

Tools Needed

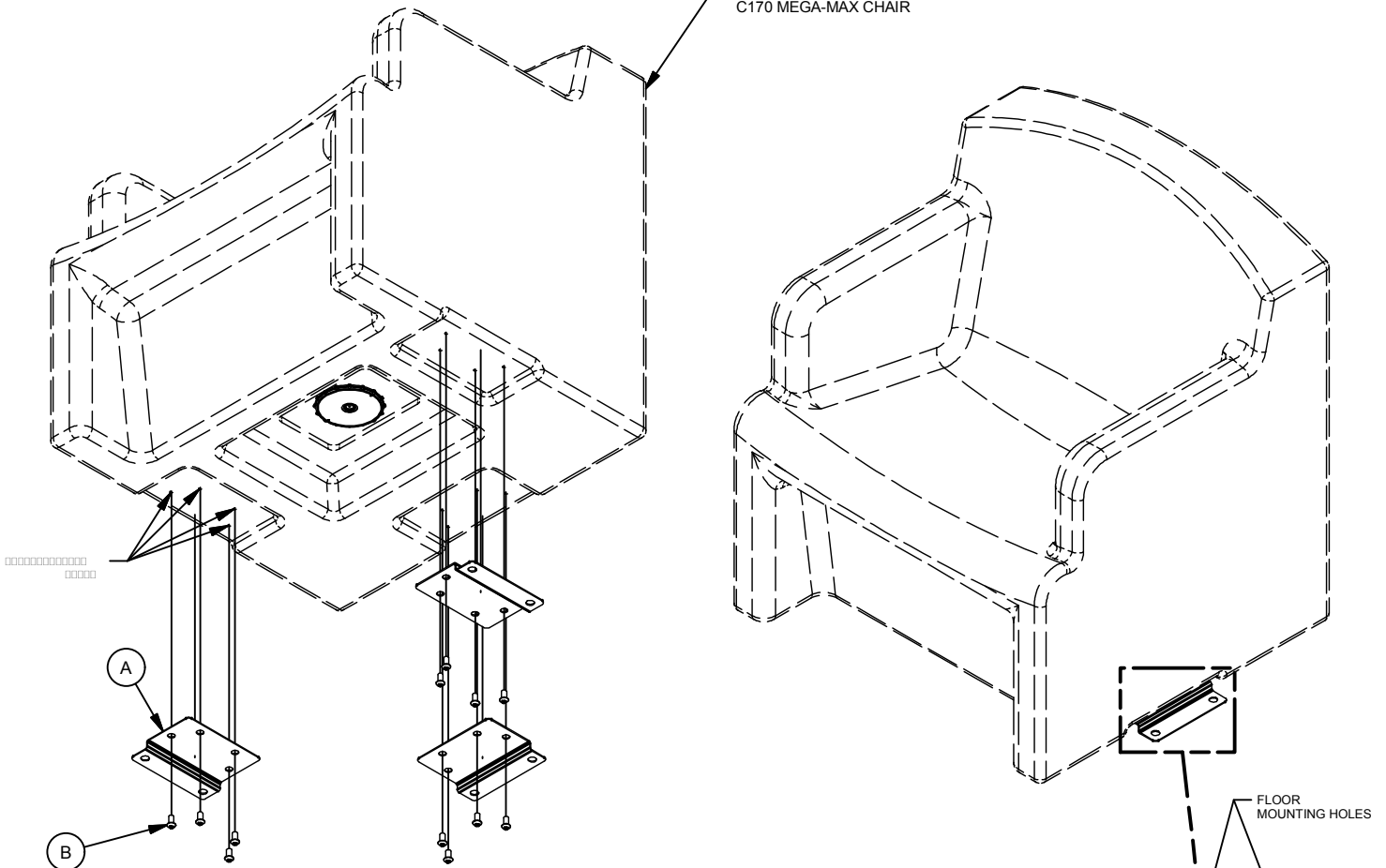
1/4" Hex Driver

Low RPM Variable Speed Drill

STEP 1

Prior to assembly - Open all packaging and confirm Parts List.
Keep all parts on a protective surface during assembly.
Be sure to hand start all screws to avoid cross-threading.

C140 TOUGH-CARE LOUNGE /
C170 MEGA-MAX CHAIR

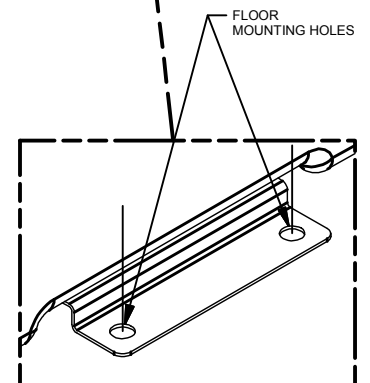


STEP 2

Attached the Mounting Plate (A) with the 4 Mounting Holes to Bottom Access Hole of the Chair using (4) 5/16-18 Button Head Screws (B) as shown. Repeat for other Bottom Access Holes.

STEP 3

Place the chair with the bolt down plates at a desired location and mark the hole locations. Move the chair aside and place the anchors in the marked locations. Place the chair back into anchor locations and secure the mounting plate to the floor.



NOTE: EACH MOUNTING PLATE COMES WITH 4 MOUNTING SCREWS